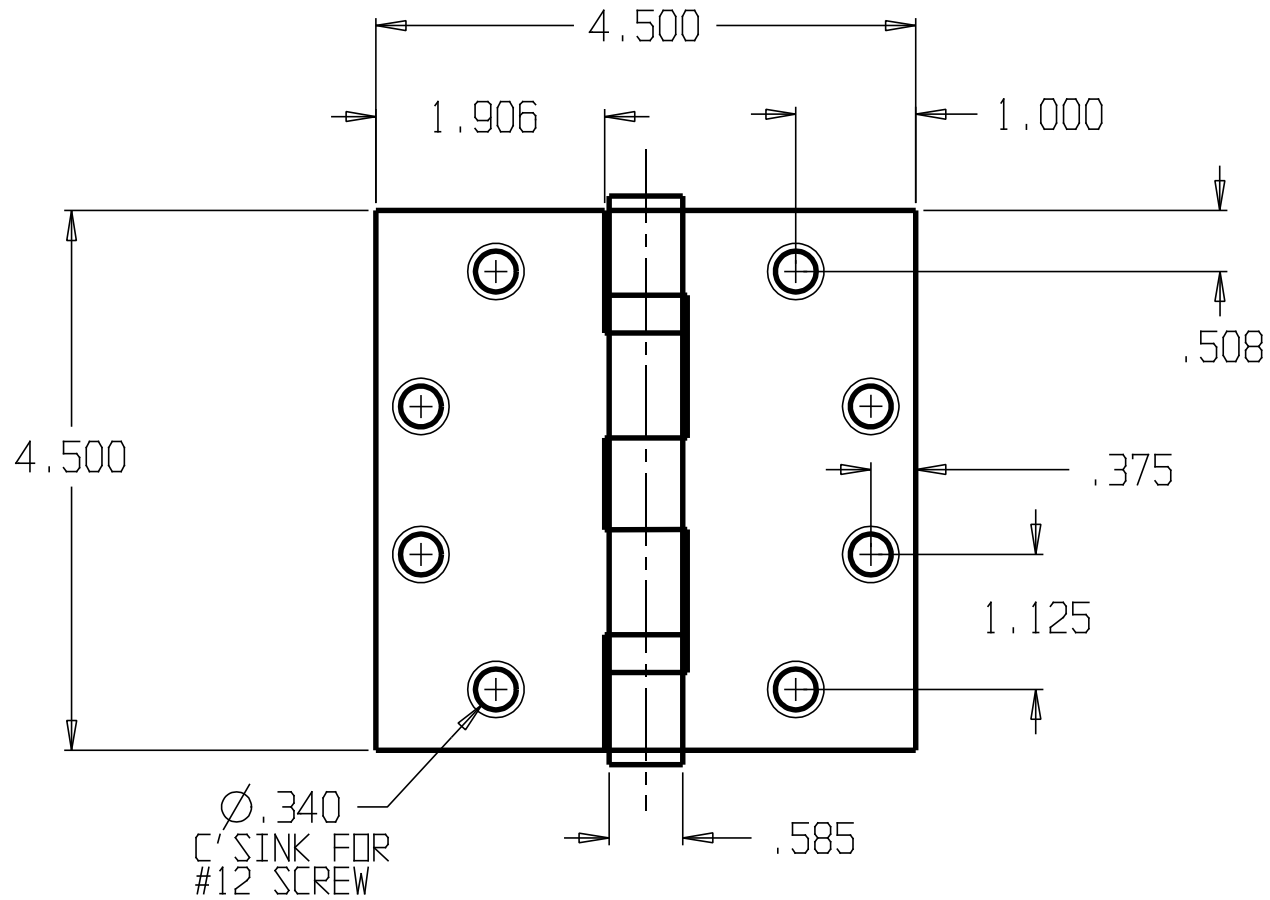


REVISIONS		
ZONE	REV	FINISHES:
		600, 632, 633, 639, 640, 652
		GAUGE:
		10ga. .135



DON-JO MFG. INC.

DESIGNER	SIZE A	DATE: 1/14/05	PART NO. PB-74545	REV
APPROVED	SCALE	RELEASE DATE	WEIGHT	SHEET