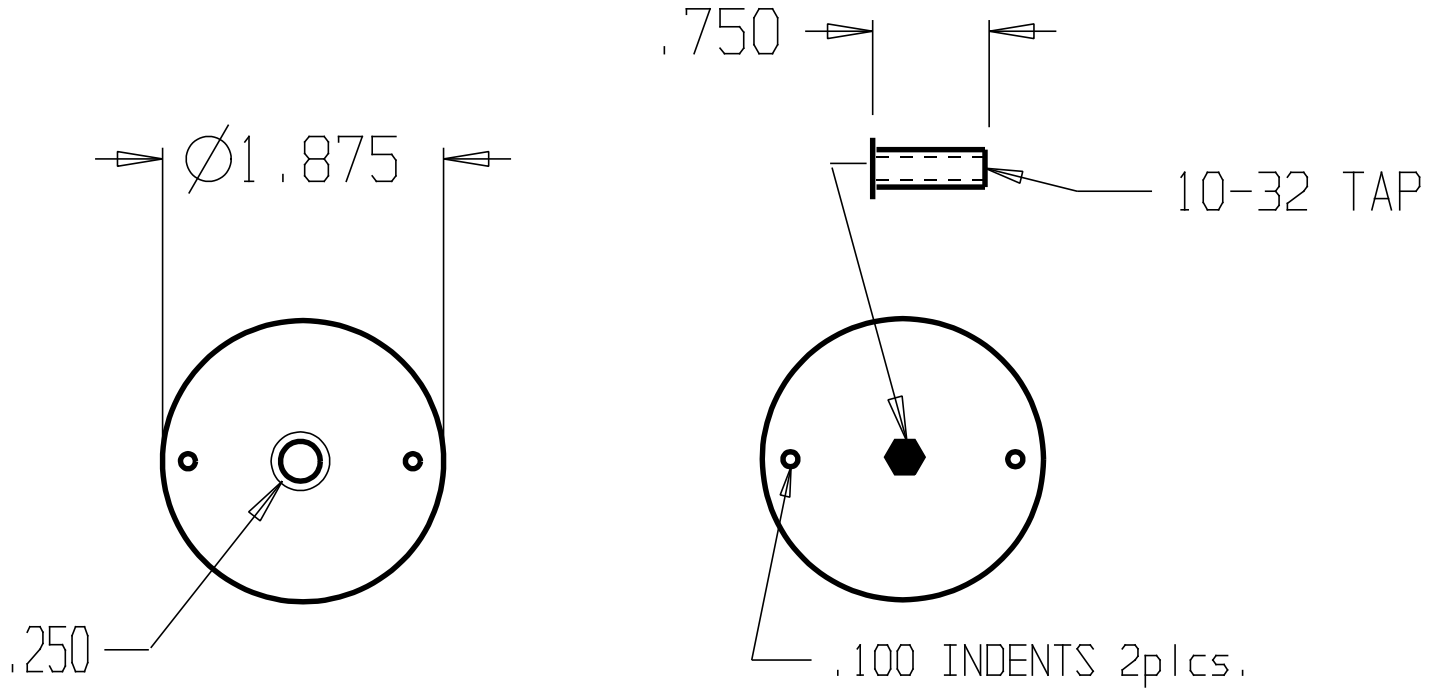


REVISIONS		
ZONE	REV	FINISHES:
		BP, PC & SL
		GAUGE:
		16ga. .060



DON-JO MFG. INC.

DESIGNER	SIZE	DATE:	PART NO.	REV
	A	5/3/04	BF-178	
APPROVED	SCALE	RELEASE DATE	WEIGHT	SHEET