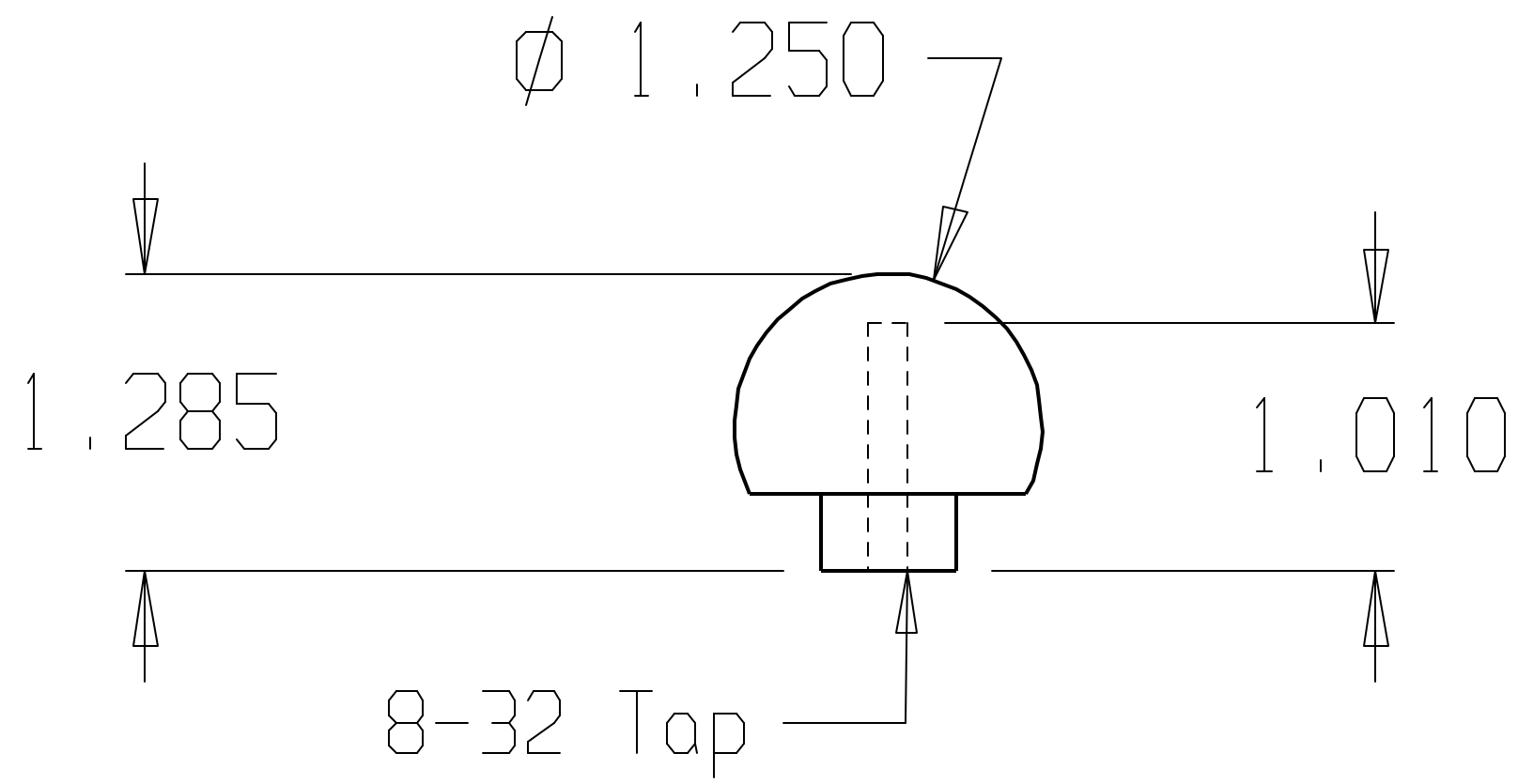


DWG NO. SH REV

REVISIONS

ZONE	REV	FINISHES:	DATE	APPROVED
		605, 620, 625, 626		



DON-JO MFG. INC.

DESIGNER		SIZE A	DATE: 4/28/04	PART NO. #58	REV
APPROVED		SCALE	RELEASE DATE	WEIGHT	SHEET