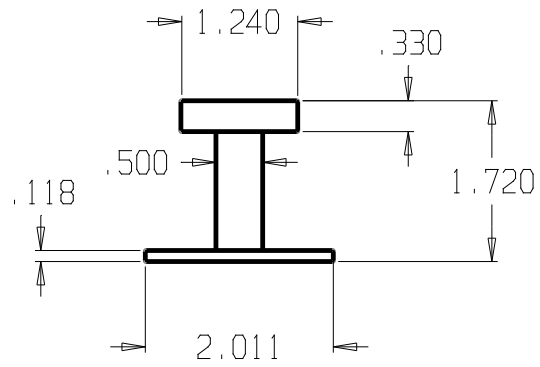


DWG NO	SH	REV
--------	----	-----

REVISIONS		
ZONE	REV	FINISHES :
		630
		GALUGE :



DON-JO MFG. INC.

DESIGNER
D.R.

SIZE
A

DATE:
5/17/13

PART NO.
#304

REV

SCALE	RELEASE DATE	WEIGHT	SHEET
-------	--------------	--------	-------