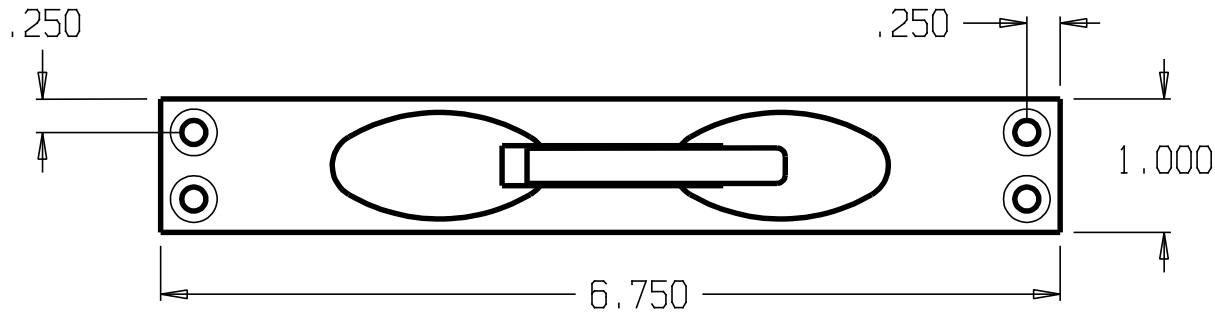
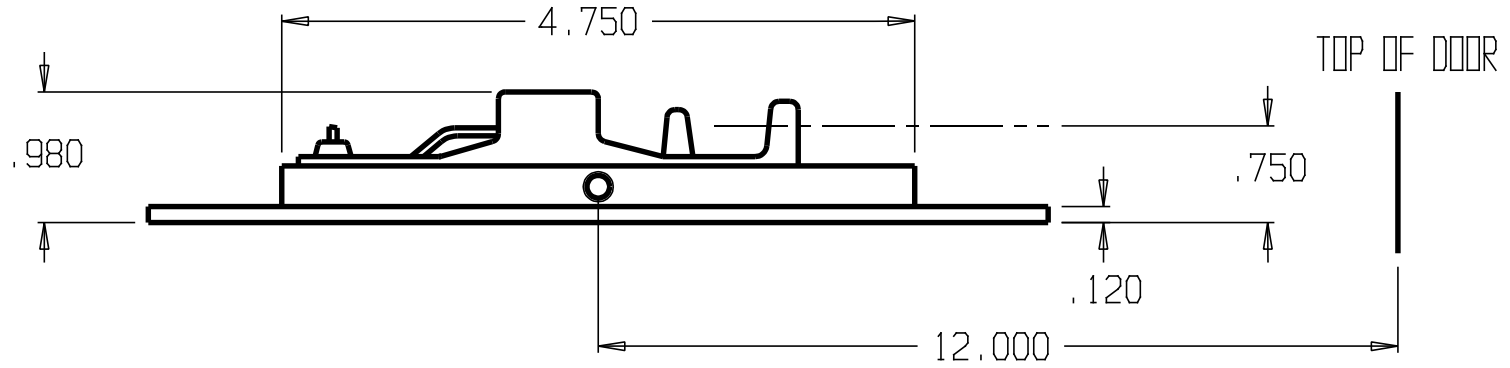


REVISIONS				
ZONE	REV	FINISHES:	DATE	APPROVED
		605,612,613,625,626		



FOR ANSI A115.4-1981

DON-JO MFG. INC.

DESIGNER	SIZE A	DATE: 3/25/04	PART NO. #1555	REV
APPROVED	SCALE	RELEASE DATE	WEIGHT	SHEET