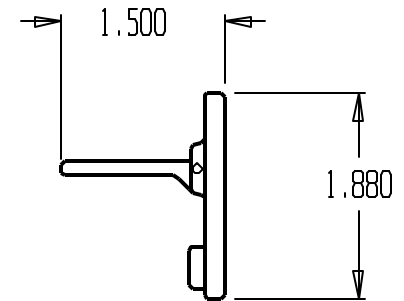
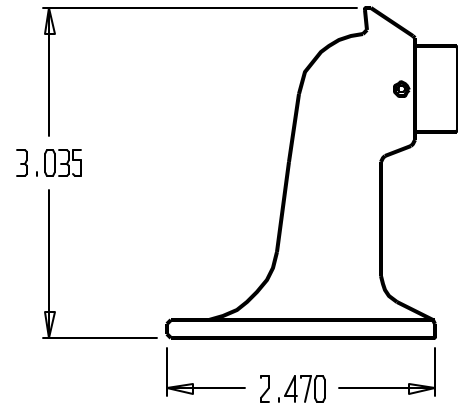
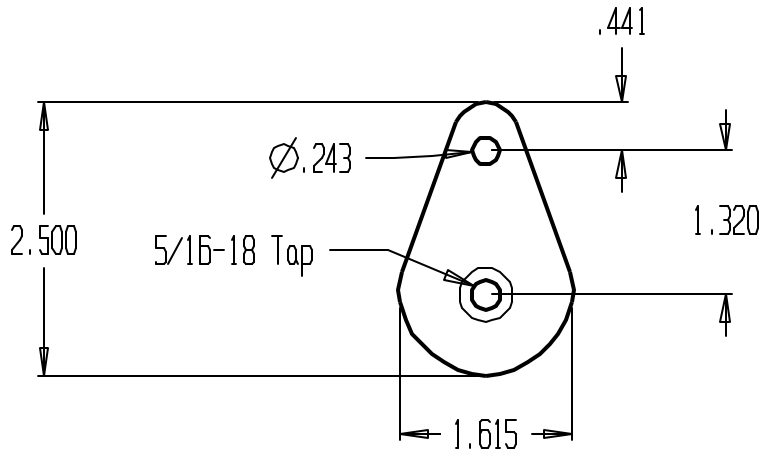


REVISIONS				
ZONE	REV	FINISHES :	DATE	APPROVED
		605,613,626		



DON-JO MFG. INC.

DESIGNER
APPROVED

SIZE A	DATE 3/15/04	PART NO. #1453	REV
SCALE	RELEASE DATE	WEIGHT	SHEET