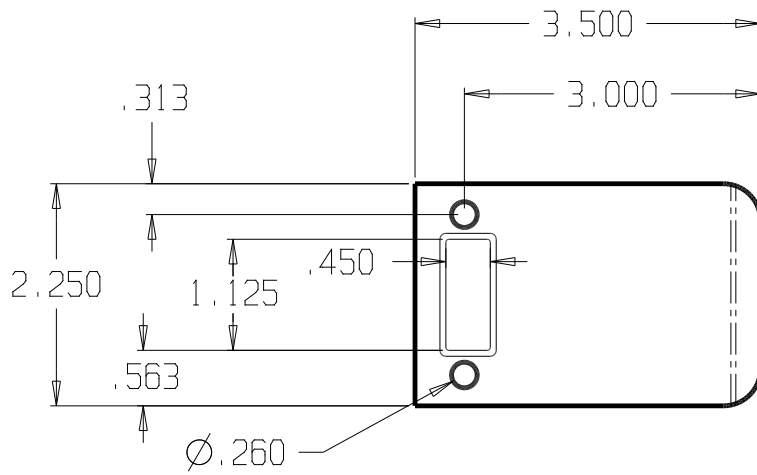


DWG NO	SH	REV
--------	----	-----

REVISIONS		FINISHES:	GUAGE:
ZONE	REV	605,609 & 630	18ga. .050



DON-JO MFG. INC.

DESIGNER	SIZE	DATE:	PART NO.	REV
	A	8/11/11	D9103	
APPROVED	SCALE	RELEASE DATE	WEIGHT	SHEET