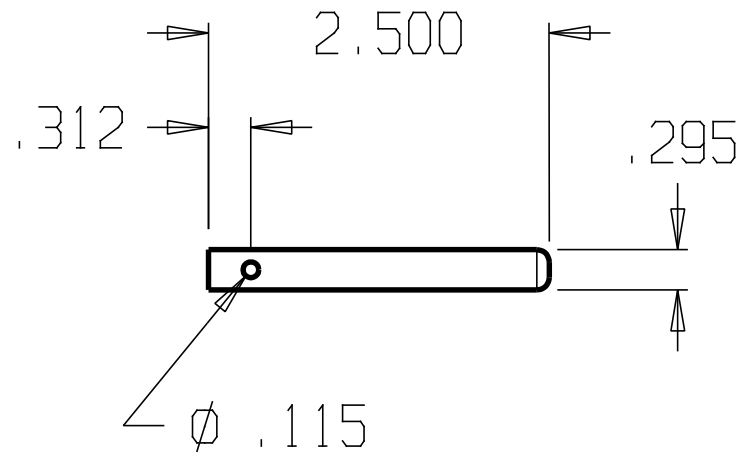
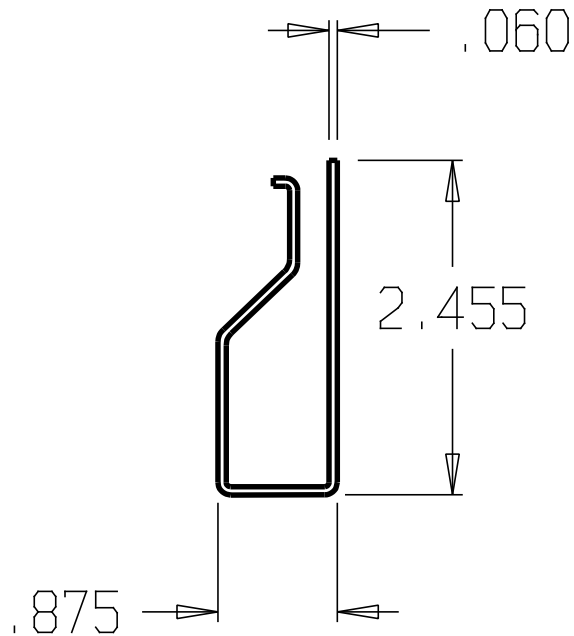


REVISIONS		
ZONE	REV	FINISHES:
		ZINC PLATED
		GAUGE:



DON-JO MFG. INC.

DESIGNER	SIZE	DATE:	PART NO.	REV
	A	6/4/04	WB-112	
APPROVED	SCALE	RELEASE DATE	WEIGHT	SHEET