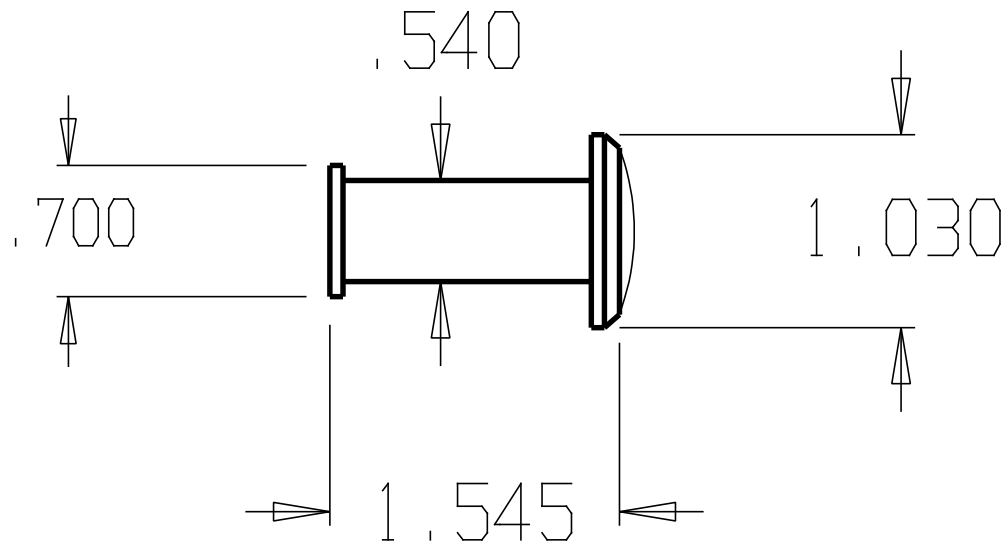


REVISIONS		
ZONE	REV	FINISHES:
		605, 626
		GAUGE:



DON-JO MFG. INC.

DESIGNER
APPROVED

SIZE A	DATE: 6/4/04	PART NO. ULDV-180	REV
SCALE	RELEASE DATE	WEIGHT	SHEET