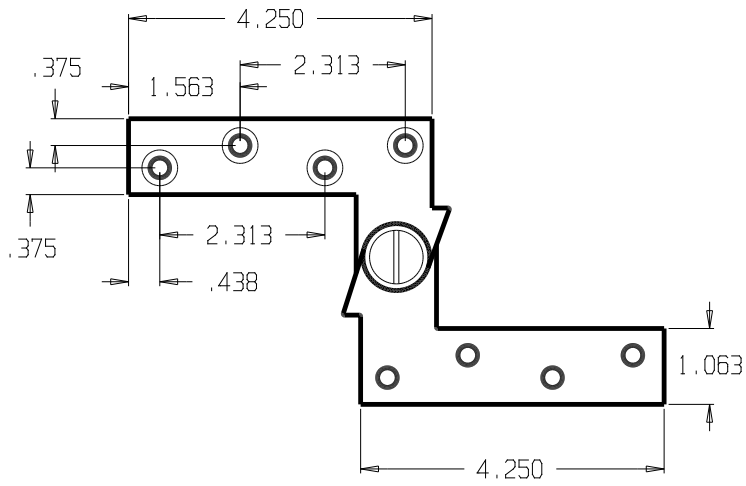


DWG NO.	SH	REV
---------	----	-----

REVISIONS		
ZONE	REV	FINISHES :
		626
		GALUGE : 1/4"



DON-JO MFG. INC.	
DESIGNER	D.R.

SIZE	DATE:	PART NO.	REV
A	8/6/15	TP-34-626	
SCALE	RELEASE DATE	WEIGHT	SHEET