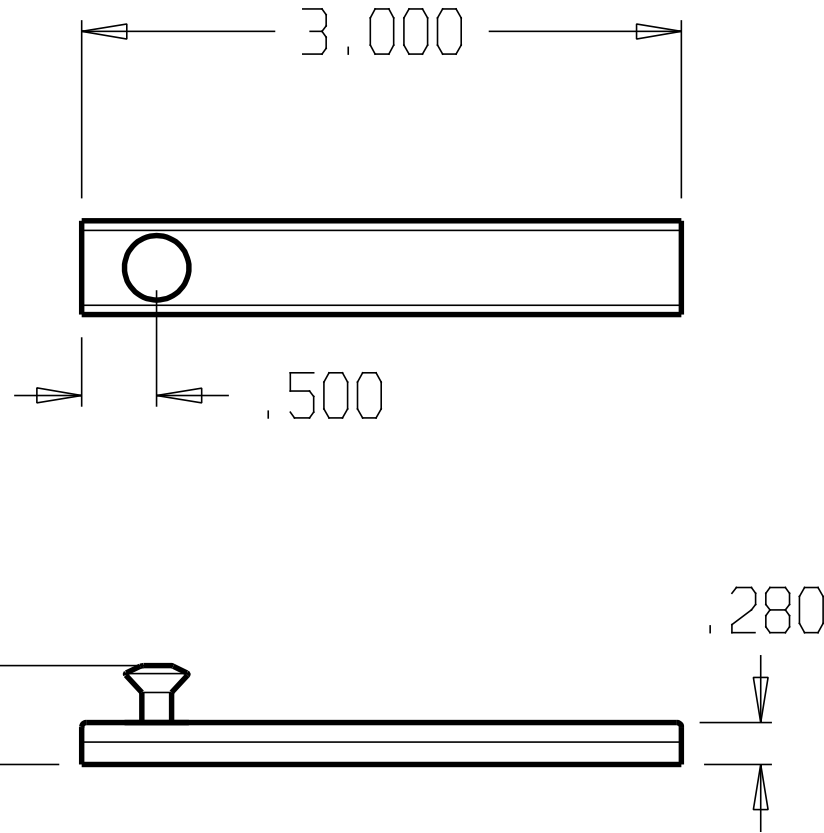


REVISIONS

ZONE	REV	FINISHES:	GUAGE:
		605, 613, 609, 625, 626	



DON-JO MFG. INC.

DESIGNER	SIZE	DATE:	PART NO.	REV
	A	6/3/04	SB-3	
APPROVED	SCALE	RELEASE DATE	WEIGHT	SHEET