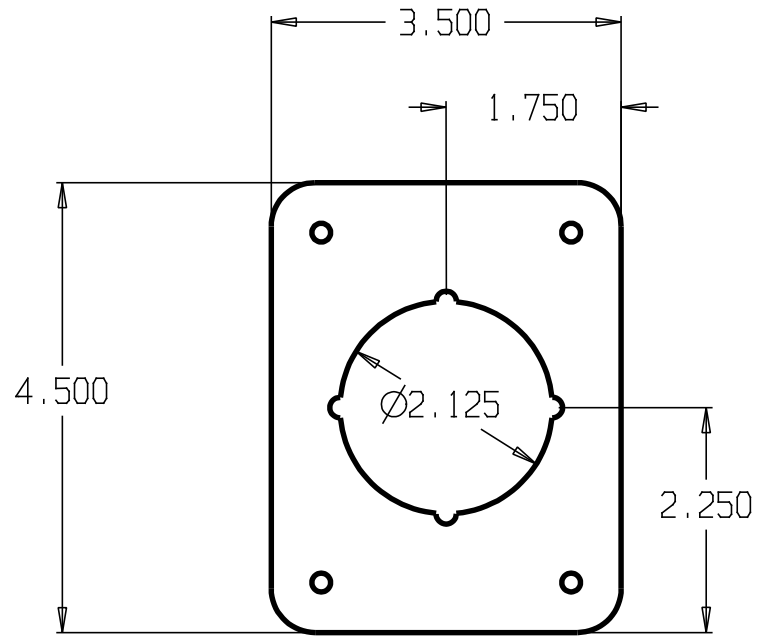


REVISIONS		
ZONE	REV	FINISHES:
		605, 609, 612, 630
		GAUGE:
		22ga. .032



DON-JO MFG. INC.				SIZE	DATE:	PART NO.	REV
DESIGNER		A	6/3/04	RP-13545			
APPROVED		SCALE	RELEASE DATE	WEIGHT	SHEET		