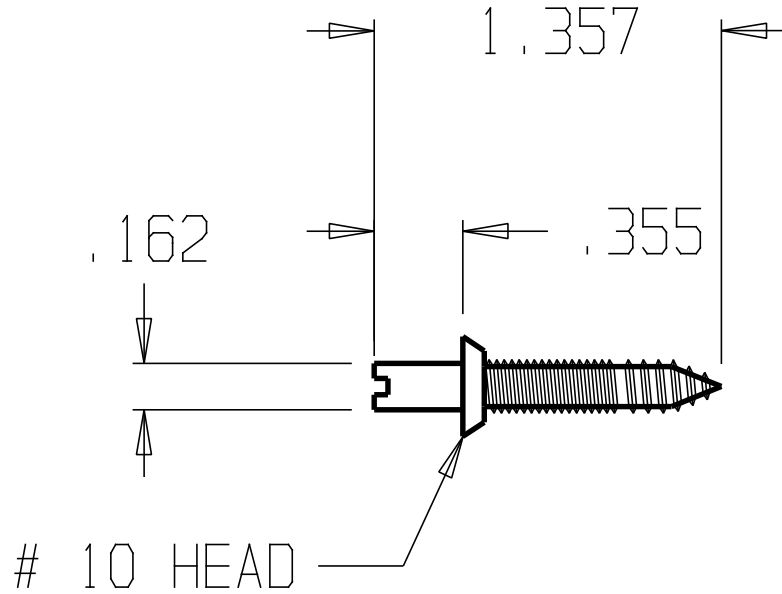


REVISIONS			
ZONE	REV	FINISHES:	GAUGE:
		BP & CP	



PACKED 2 PER BAG

DON-JO MFG. INC.				SIZE	DATE:	PART NO.	REV
DESIGNER		A	6/3/04	RHP-100			
APPROVED		SCALE	RELEASE DATE	WEIGHT	SHEET		