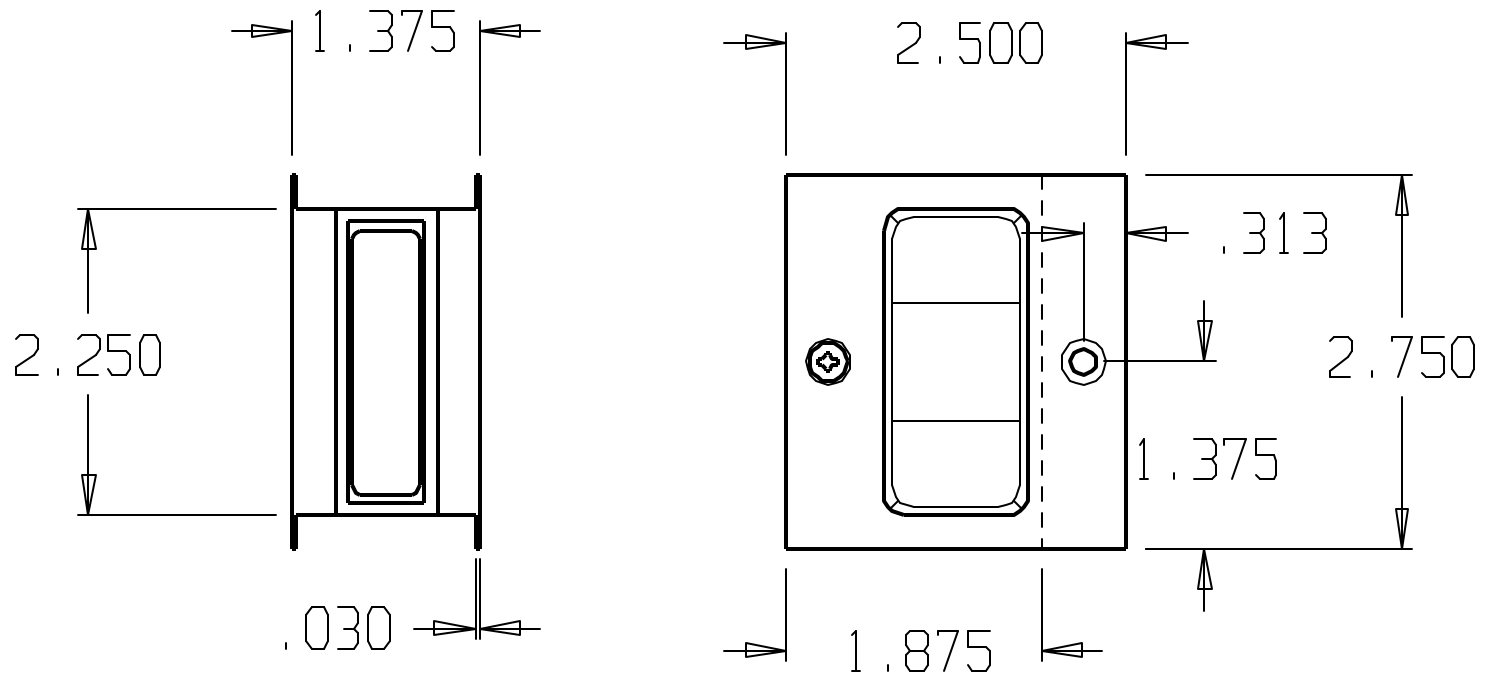


REVISIONS		
ZONE	REV	FINISHES:
		605, 609, 613, 619, 620, 622, 625, 626, 605X625



Passage

DON-JO MFG. INC.		SIZE	DATE:	PART NO.	REV
DESIGNER		A	6/3/04	PDL-100	
APPROVED		SCALE	RELEASE DATE	WEIGHT	SHEET