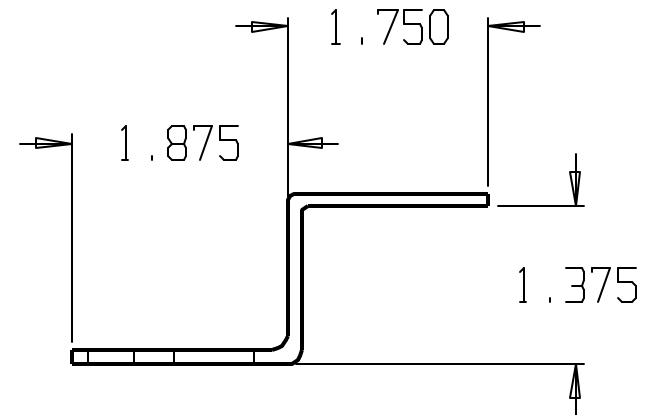
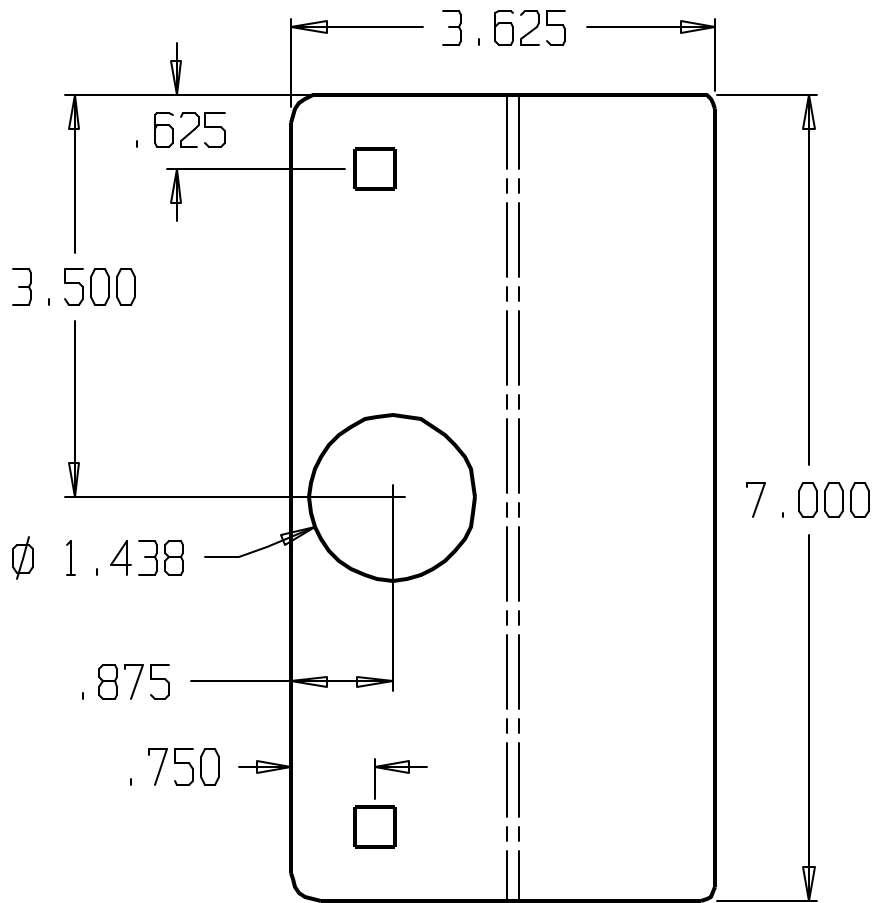


REVISIONS			
ZONE	REV	FINISHES:	GALUGE:
		DU & SL	12ga. .104



DON-JO MFG. INC.

DESIGNER	SIZE A	DATE 3/2/09	PART NO. OLP-2651	REV
APPROVED	SCALE	RELEASE DATE	WEIGHT	SHEET