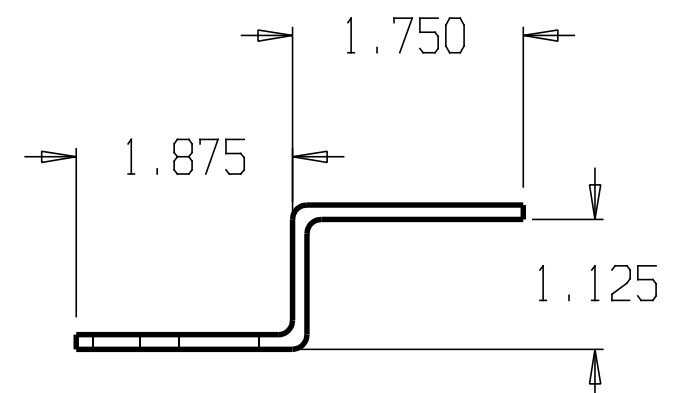
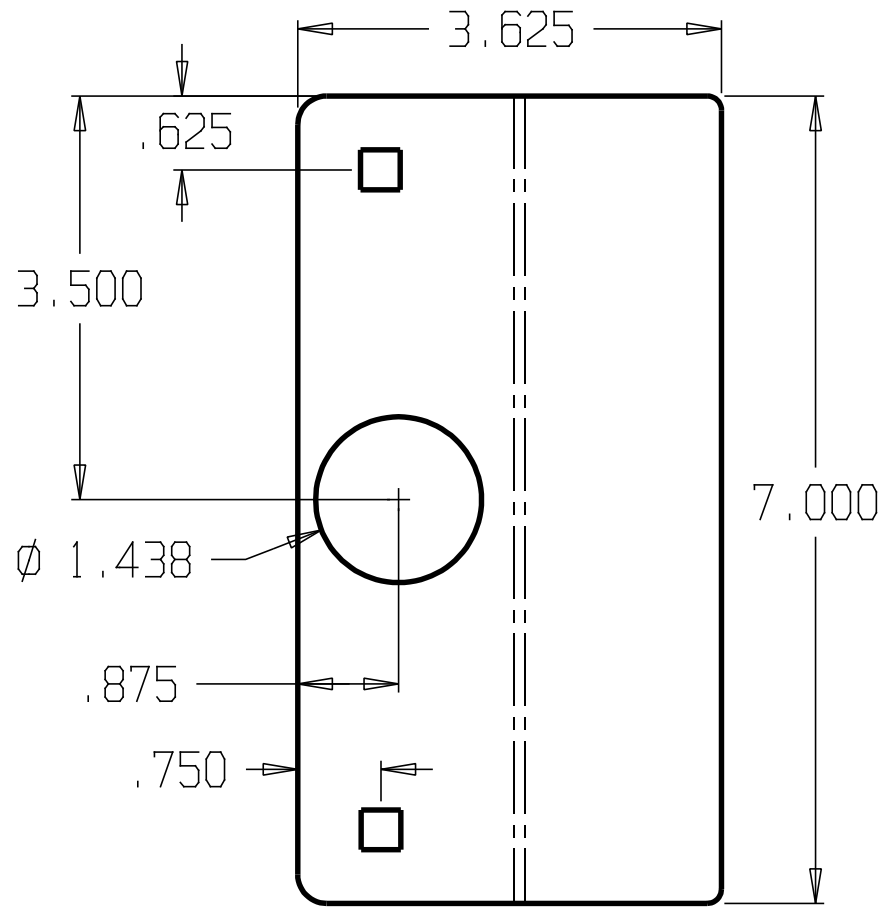


REVISIONS			
ZONE	REV	FINISHES:	GAUGE:
		DU & SL	12ga. .104



<b>DON-JO MFG. INC.</b>				SIZE	DATE:	PART NO.	REV
DESIGNER		A	6/3/04	OLP-2650			
APPROVED		SCALE	RELEASE DATE	WEIGHT	SHEET		