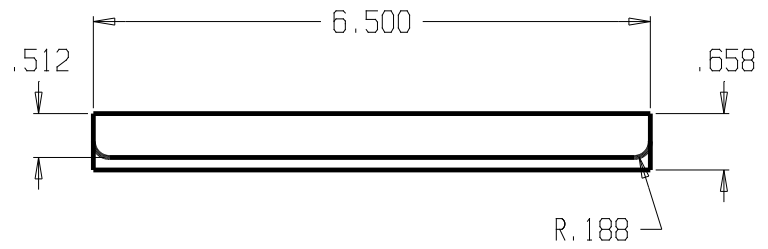
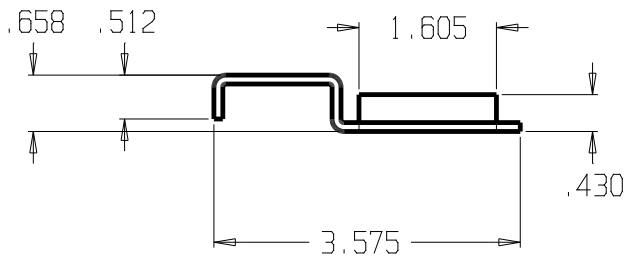
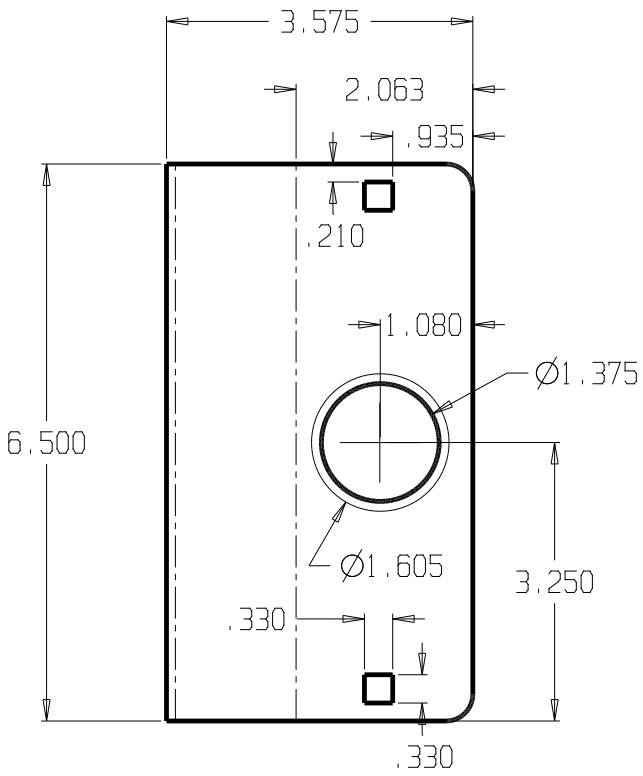


DWG NO.	SH	REV
---------	----	-----

REVISIONS		
ZONE	REV	FINISHES:
		DU & SL
		GALUGE:
		12ga. .104



<b>DON-JO MFG. INC.</b>				SIZE	DATE:	PART NO.	REV
DESIGNER	D.R.	A		4/1/11	NELP-207		
SCALE	RELEASE DATE	WEIGHT	SHEET				