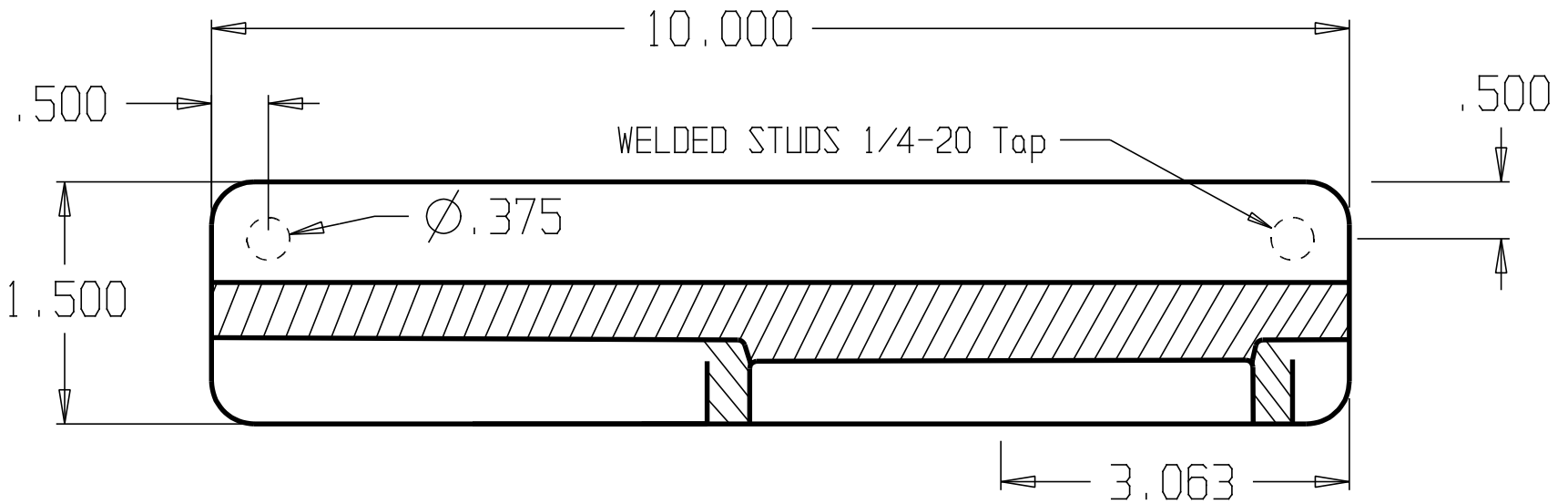


REVISIONS		
ZONE	REV	FINISHES:
		630
		GAUGE:
		12ga. .104



**DON-JO MFG. INC.**

DESIGNER	
APPROVED	

SIZE	DATE:	PART NO.	REV
A	6/10/04	KLP-110-630-RHR	
SCALE	RELEASE DATE	WEIGHT	SHEET