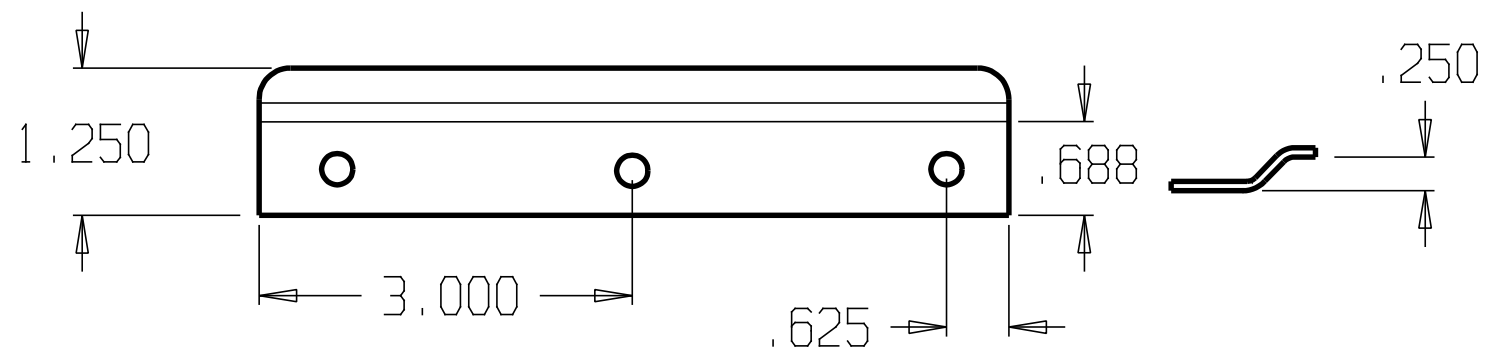
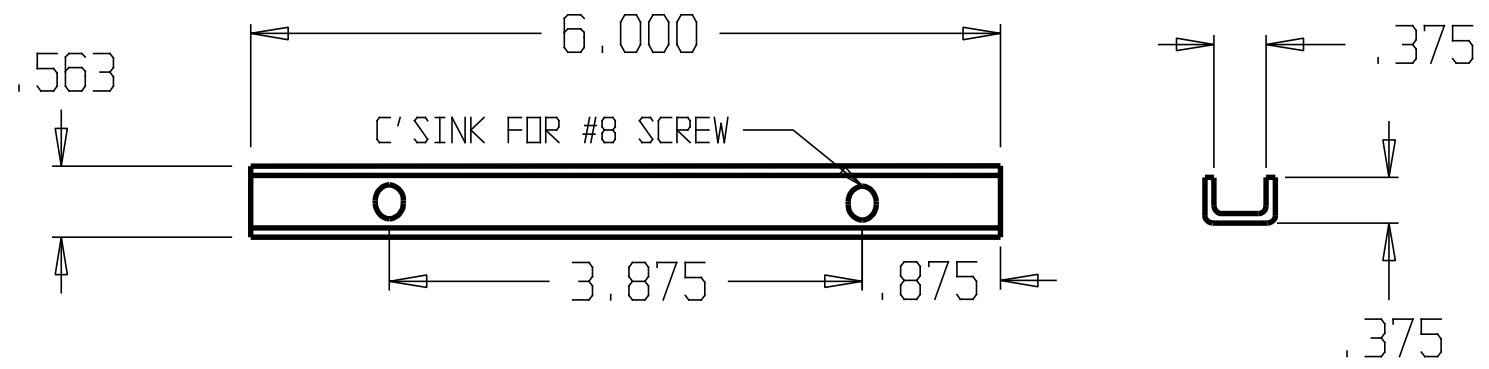


REVISIONS			
ZONE	REV	FINISHES:	GAUGE:
		BP, DU & SL	14ga. .075



DON-JO MFG. INC.		SIZE	DATE:	PART NO.	REV
DESIGNER		A	5/28/04	ILP-206	
APPROVED		SCALE	RELEASE DATE	WEIGHT	SHEET