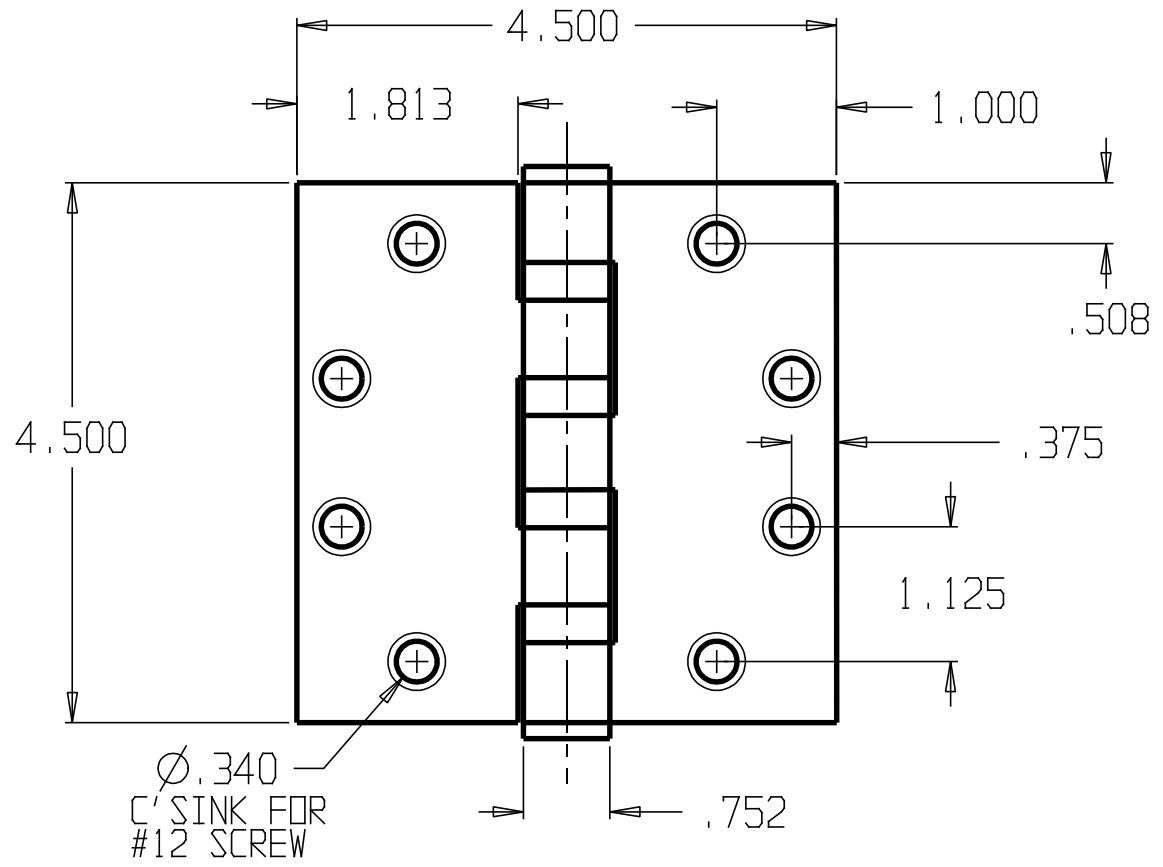


| REVISIONS |     |           |           |
|-----------|-----|-----------|-----------|
| ZONE      | REV | FINISHES: | GAUGE:    |
|           |     | 652       | 7ga. .180 |



|                  |  |       |              |            |       |          |     |
|------------------|--|-------|--------------|------------|-------|----------|-----|
| DON-JO MFG. INC. |  |       |              | SIZE       | DATE: | PART NO. | REV |
| DESIGNER         |  | A     | 1/14/05      | HWBB-74545 |       |          |     |
| APPROVED         |  | SCALE | RELEASE DATE | WEIGHT     | SHEET |          |     |