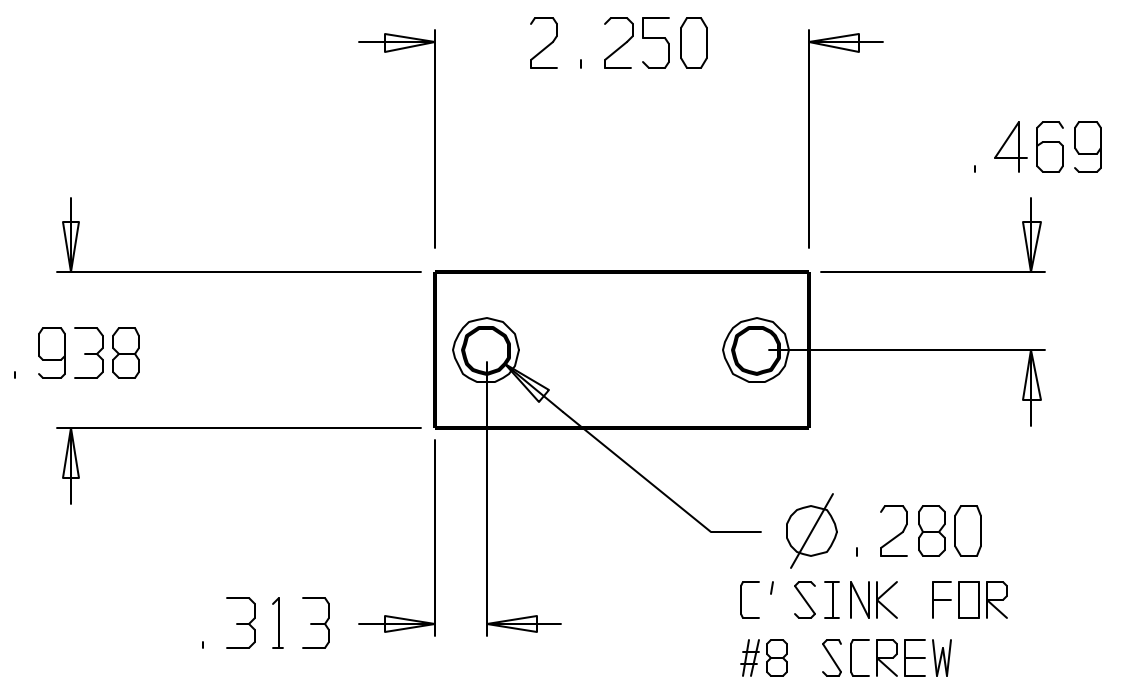


REVISIONS			
ZONE	REV	FINISHES:	GUAGE:
		PC	11ga. .119



DON-JO MFG. INC.

DESIGNER

APPROVED

SIZE: A

DATE: 2/18/10

SCALE

PART NO. FB-225

RELEASE DATE

WEIGHT

SHEET

REV