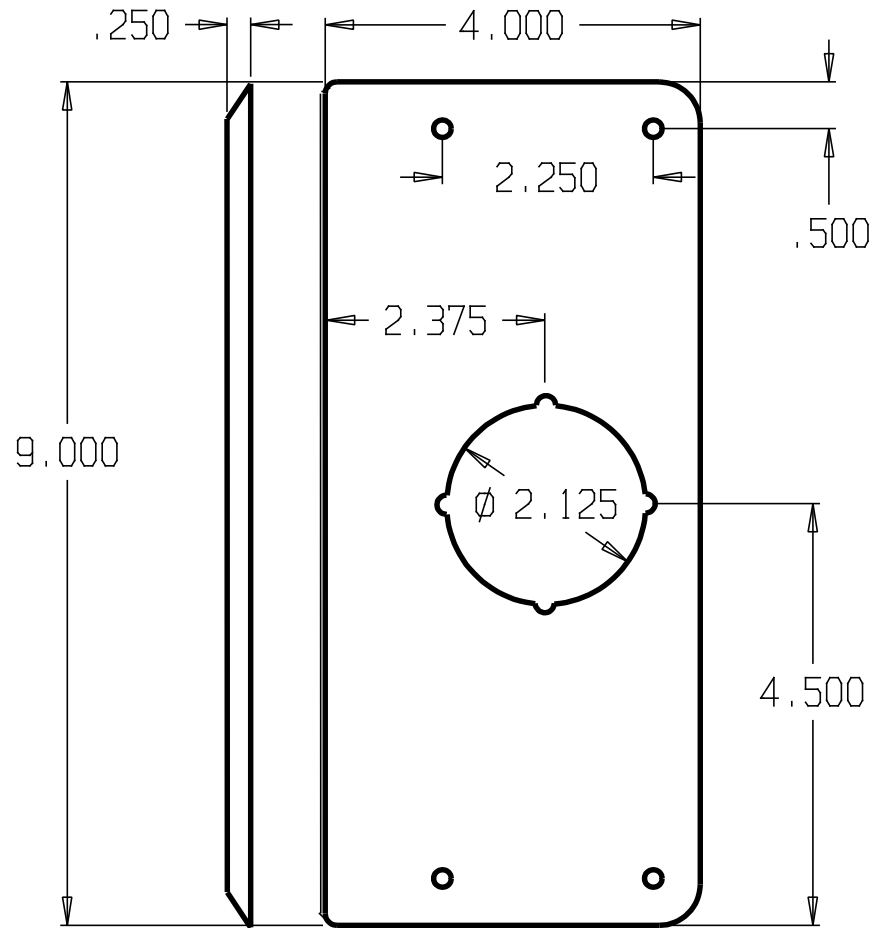


REVISIONS			
ZONE	REV	FINISHES:	GAUGE:
		605 & 630	22ga. .032



DON-JO MFG. INC.

DESIGNER	SIZE	DATE:	PART NO.	REV
	A	5/17/04	EM-2	
APPROVED	SCALE	RELEASE DATE	WEIGHT	SHEET