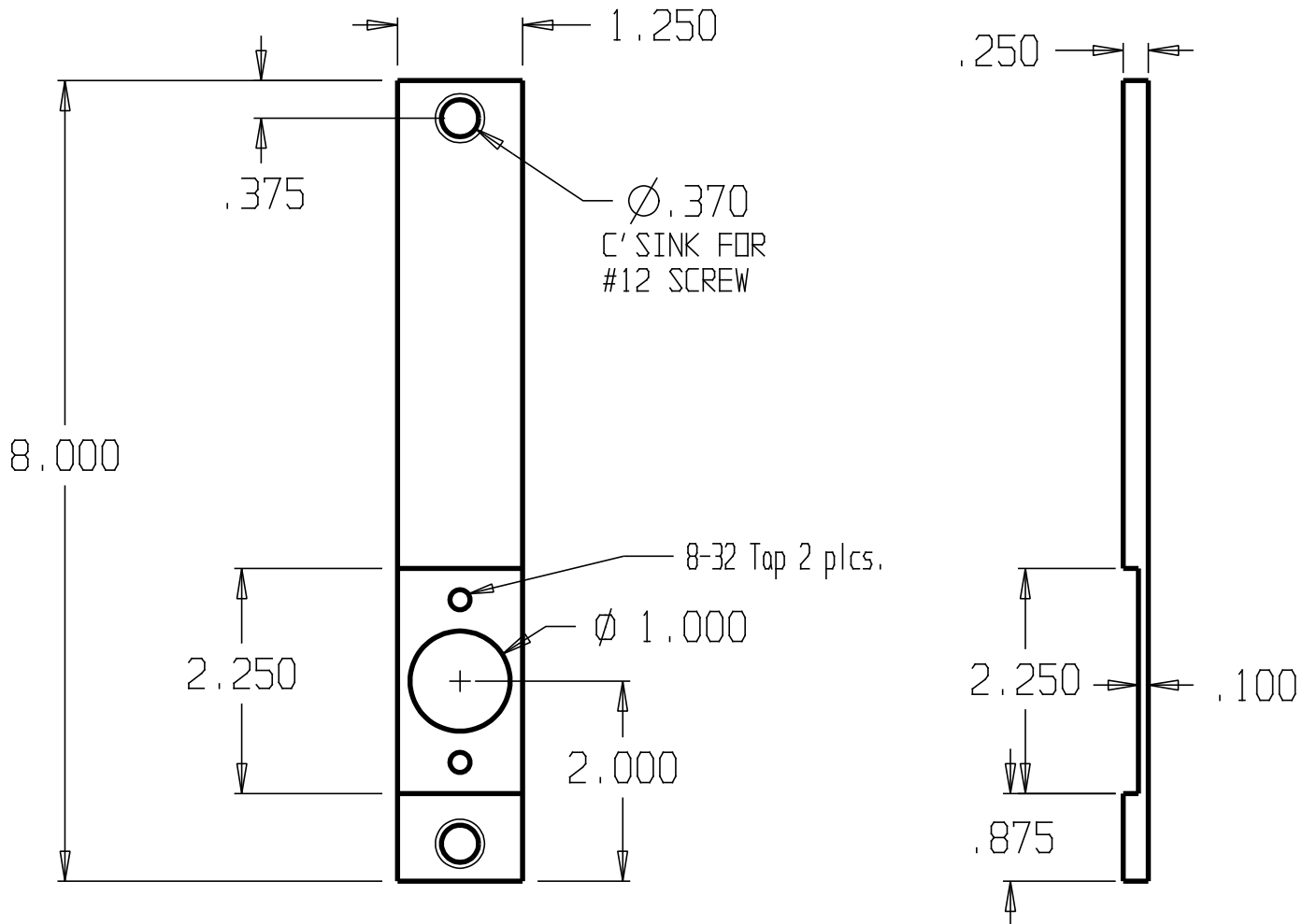


| REVISIONS | | | |
|-----------|-----|-----------|--------|
| ZONE | REV | FINISHES: | GAUGE: |
| | | PC | |



DON-JO MFG. INC.

| | | | | | |
|----------|----------|-----------|------------------|-------------------|-------|
| DESIGNER | APPROVED | SIZE A | DATE: 5/14/04 | PART NO. EL-86 | REV |
| | | SCALE | RELEASE DATE | WEIGHT | SHEET |