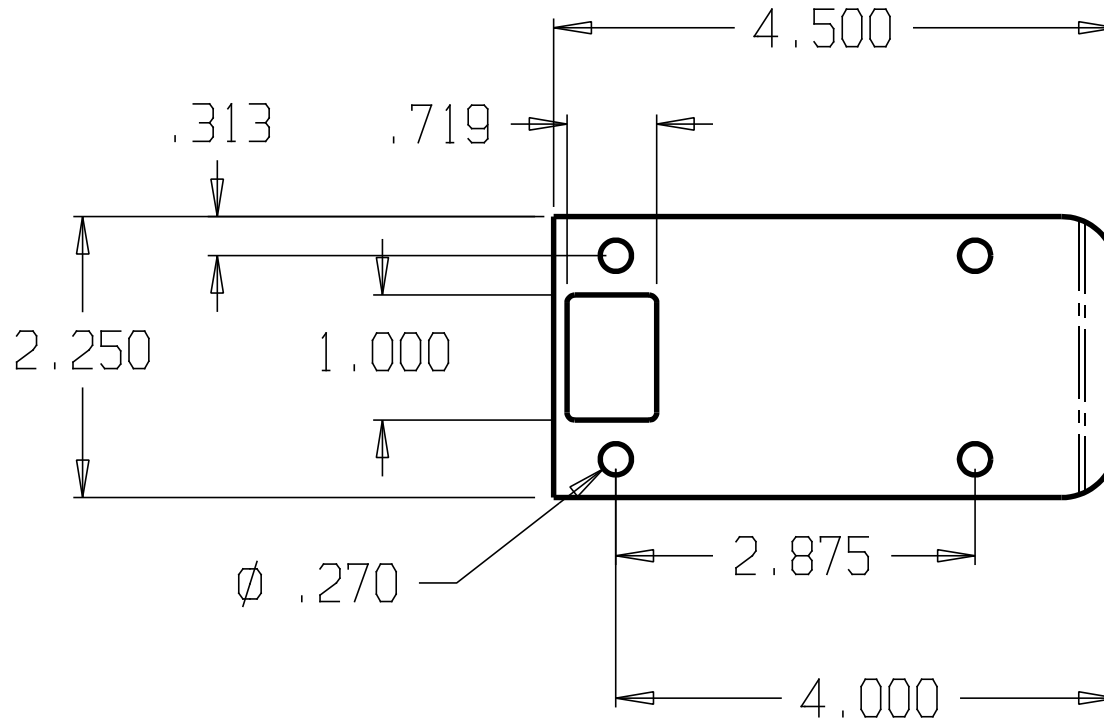


REVISIONS		
ZONE	REV	FINISHES:
		605, 609, 619, 620, 630 & DU
		GAUGE: 18ga. .050



DON-JO MFG. INC.				SIZE	DATE:	PART NO.	REV
DESIGNER		A	5/13/04	EL-104			
APPROVED		SCALE	RELEASE DATE	WEIGHT	SHEET		