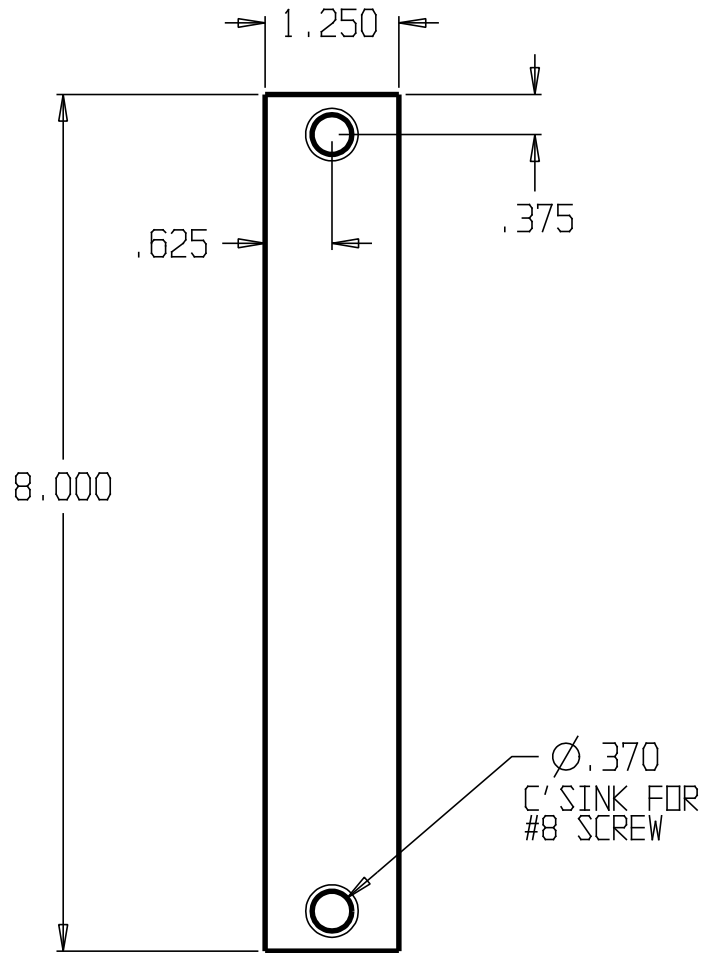


REVISIONS

ZONE	REV	FINISHES:	GAUGE:
		PC	7ga. .180



DON-JO MFG. INC.

DESIGNER	SIZE	DATE:	PART NO.	REV
	A	5/13/04	EF-86	
APPROVED	SCALE	RELEASE DATE	WEIGHT	SHEET