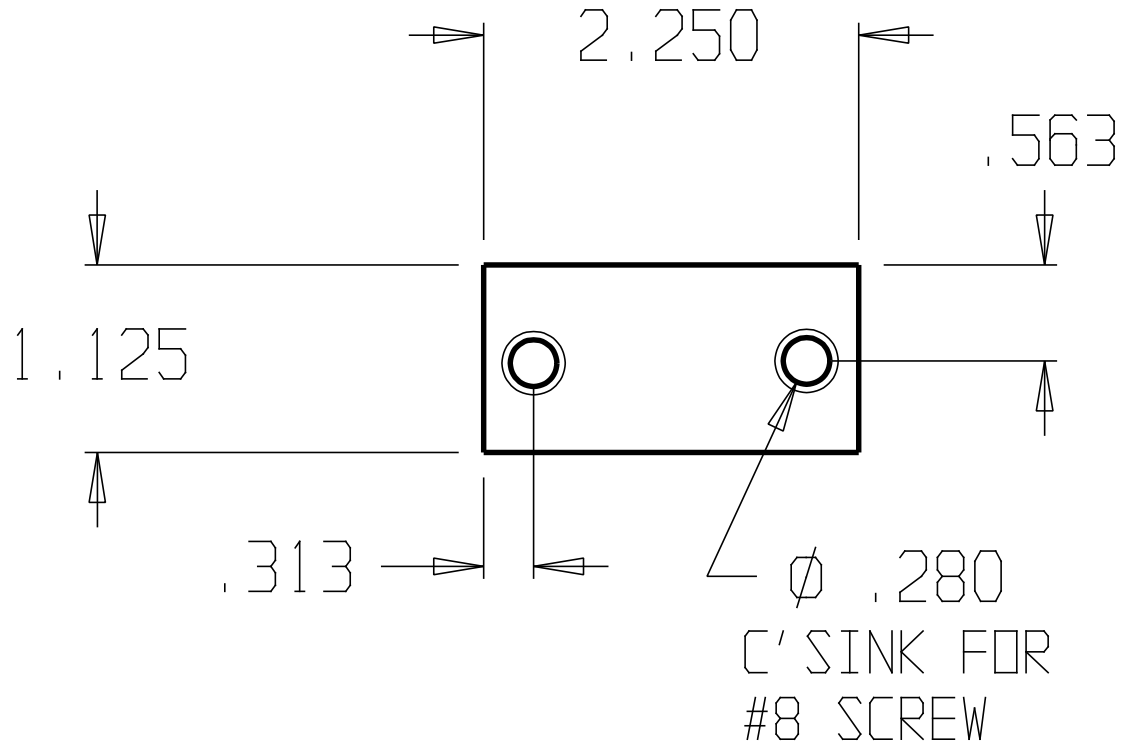


| REVISIONS |     |           |            |
|-----------|-----|-----------|------------|
| ZONE      | REV | FINISHES: | GAUGE:     |
|           |     | BP & PC   | 16ga. .060 |



DON-JO MFG. INC.

|          |           |                  |                       |       |
|----------|-----------|------------------|-----------------------|-------|
| DESIGNER | SIZE<br>A | DATE:<br>5/12/04 | PART NO.<br>EF-161-TG | REV   |
| APPROVED | SCALE     | RELEASE DATE     | WEIGHT                | SHEET |