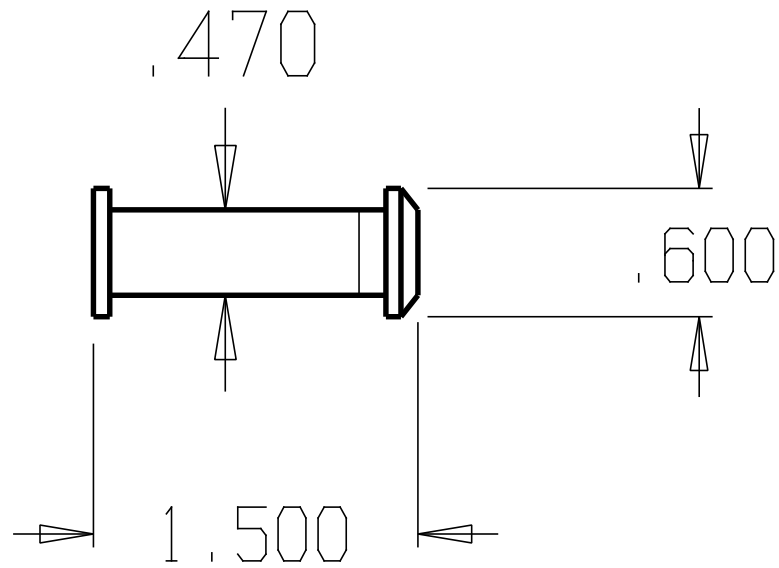


REVISIONS			
ZONE	REV	FINISHES:	GUAGE:
		605 & 626	



DON-JO MFG. INC.

DESIGNER	SIZE	DATE:	PART NO.	REV
	A	5/12/04	DV-90	
APPROVED	SCALE	RELEASE DATE	WEIGHT	SHEET