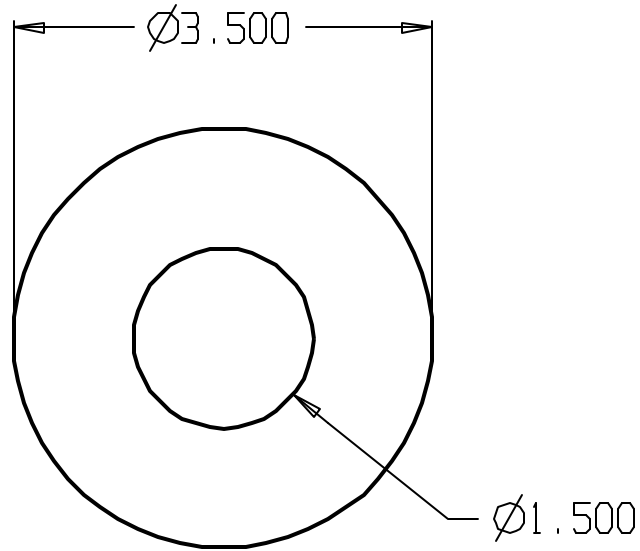


DWG NO.	SH	REV
---------	----	-----

REVISIONS

ZONE	REV	FINISHES:	GALUGE:
		605, 609, 612 & 630	22ga. .032



DON-JO MFG. INC.

DESIGNER	SIZE	DATE:	PART NO.	REV
	A	5/12/04	DSP-135	
APPROVED	SCALE	RELEASE DATE	WEIGHT	SHEET