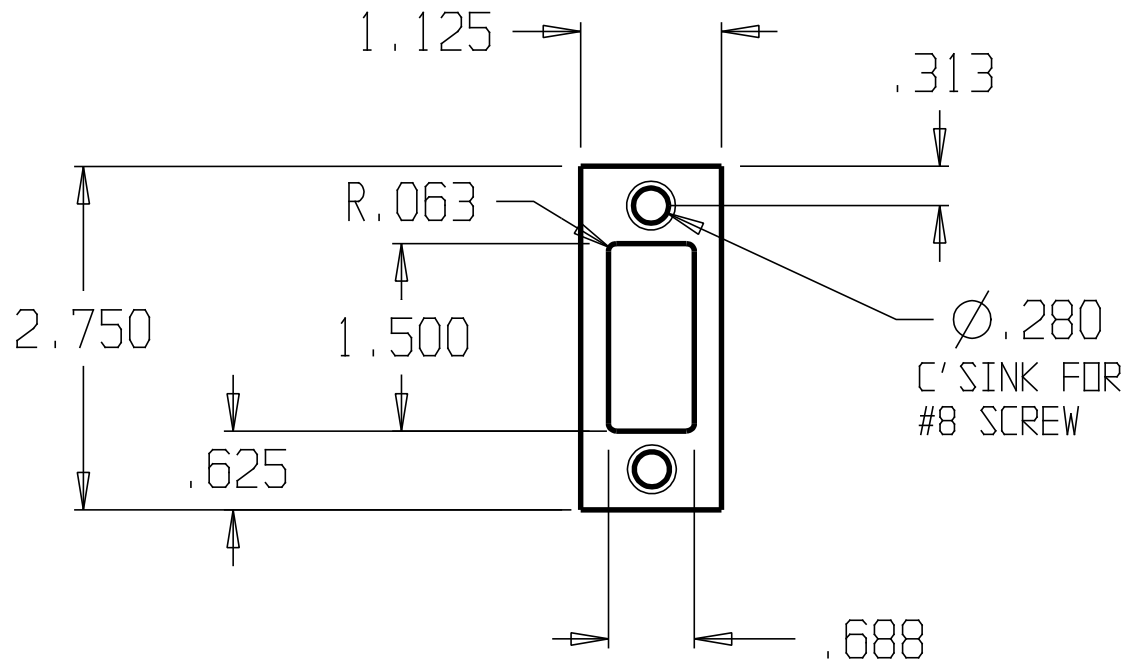


| REVISIONS | | | |
|-----------|-----|-----------|------------|
| ZONE | REV | FINISHES: | GAUGE: |
| | | 605 & 630 | 18ga. .050 |



DON-JO MFG. INC.

| | |
|----------|--|
| DESIGNER | |
| APPROVED | |

| | | | |
|-------|--------------|----------|-------|
| SIZE | DATE: | PART NO. | REV |
| A | 5/12/04 | DS-234 | |
| SCALE | RELEASE DATE | WEIGHT | SHEET |
| | | | |