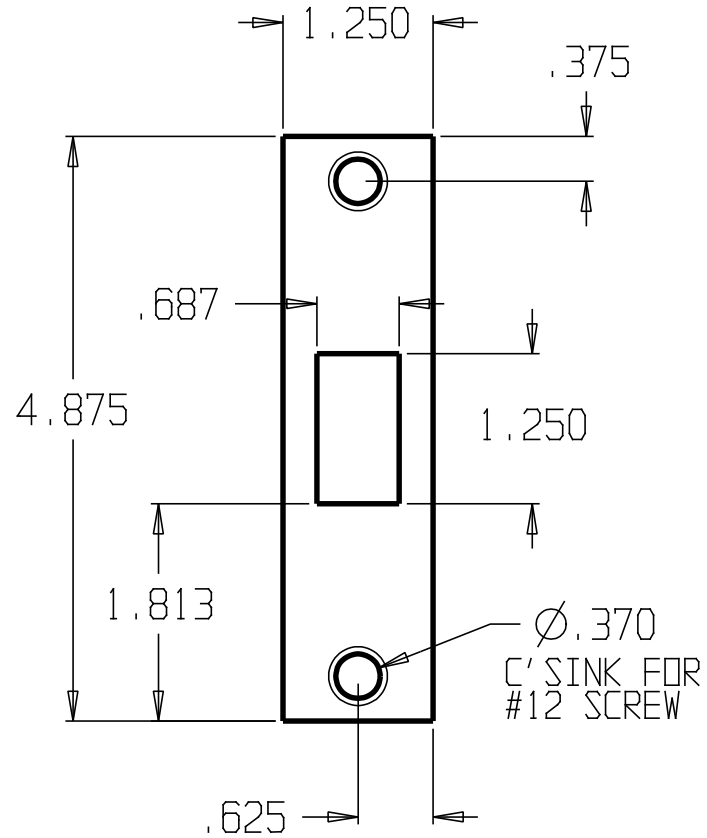


REVISIONS			
ZONE	REV	FINISHES:	GAUGE:
		BP, DU & SL	13ga. .095



DON-JO MFG. INC.

DESIGNER	SIZE	DATE:	PART NO.	REV
	A	5/7/04	DBS-2478	
APPROVED	SCALE	RELEASE DATE	WEIGHT	SHEET