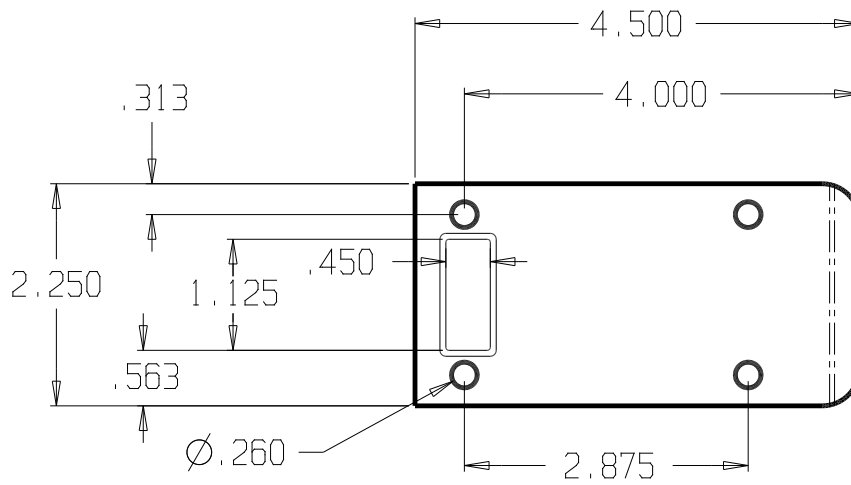


| | | |
|---------|----|-----|
| DWG NO. | SH | REV |
|---------|----|-----|

| REVISIONS | | FINISHES: | GUAGE: |
|-----------|-----|----------------|------------|
| ZONE | REV | 605, 609 & 630 | 18ga. .050 |



DON-JO MFG. INC.

| | | | | |
|----------|-------|--------------|----------|-------|
| DESIGNER | SIZE | DATE: | PART NO. | REV |
| | A | 8/11/11 | D9104 | |
| APPROVED | SCALE | RELEASE DATE | WEIGHT | SHEET |