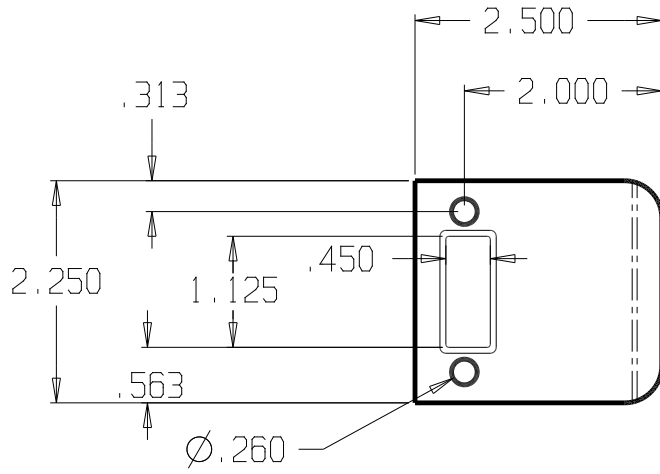


DWG NO.	SH	REV
---------	----	-----

REVISIONS		FINISHES:	GUAGE:
ZONE	REV	605, 609 & 630	18ga. .050



DON-JO MFG. INC.

DESIGNER	
APPROVED	

SIZE	DATE:	PART NO.	REV
A	8/11/11	D9102	
SCALE	RELEASE DATE	WEIGHT	SHEET