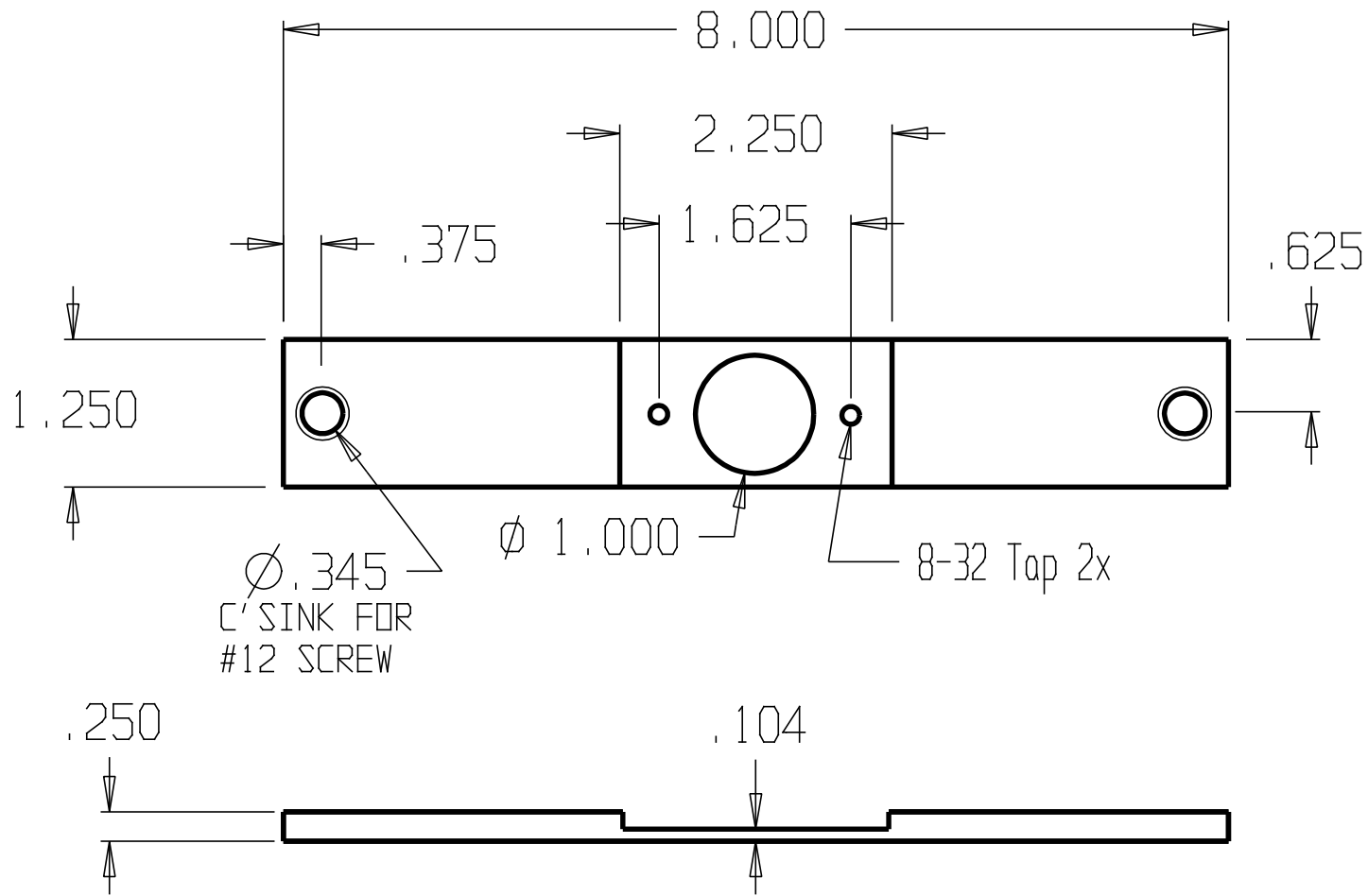


REVISIONS		
ZONE	REV	FINISHES:
		BP & SL
		GUAGE: 1/4"



DON-JO MFG. INC.

DESIGNER	SIZE A	DATE: 5/7/04	PART NO. CV-86C	REV
APPROVED	SCALE	RELEASE DATE	WEIGHT	SHEET