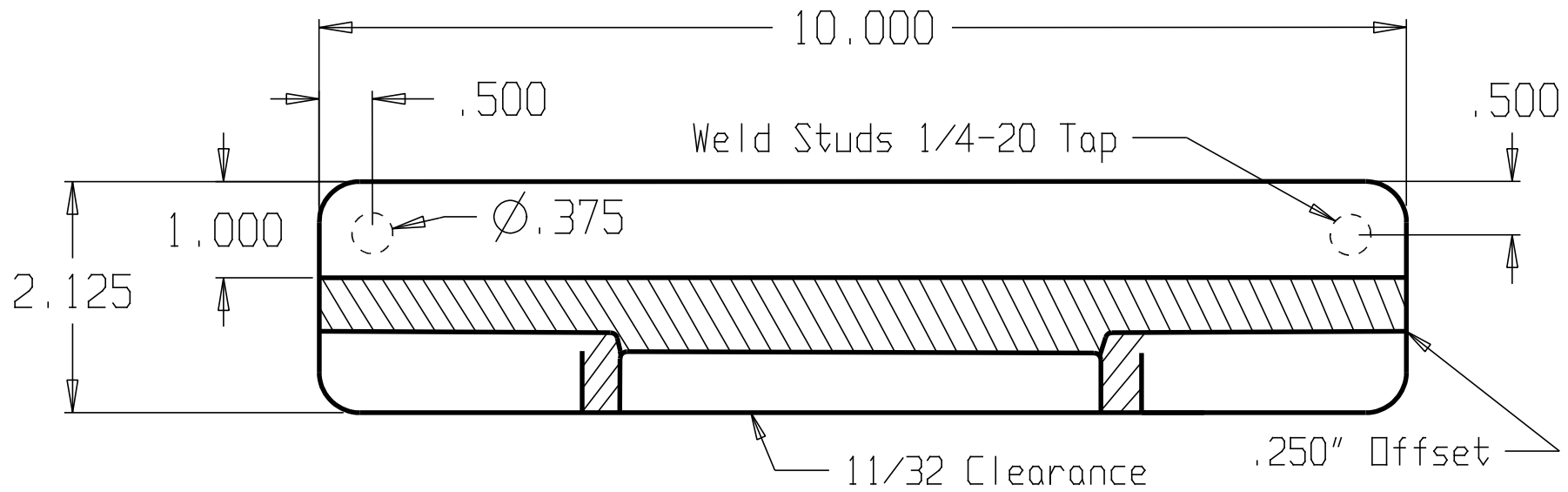


REVISIONS			
ZONE	REV	FINISHES:	GAUGE:
		630	12ga. .104



**DON-JO MFG. INC.**

DESIGNER	
APPROVED	

SIZE A	DATE: 5/6/04	PART NO. CLP-110	REV
SCALE	RELEASE DATE	WEIGHT	SHEET