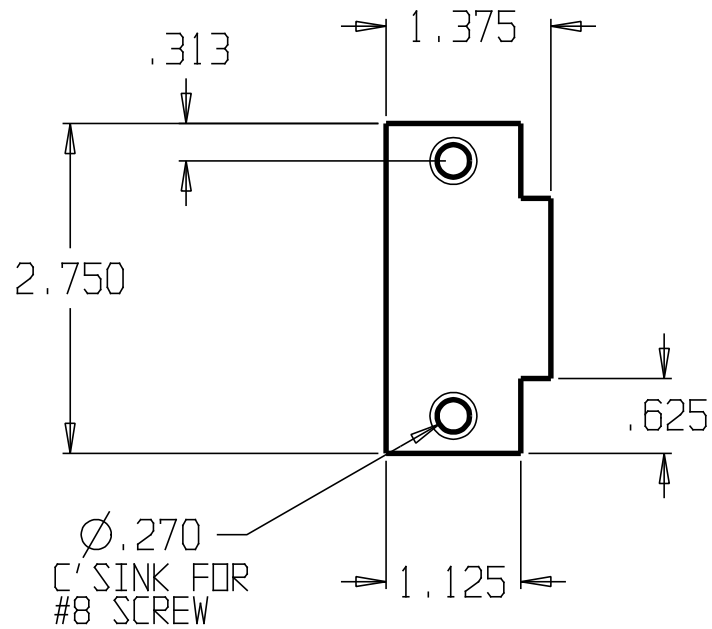


REVISIONS			
ZONE	REV	FINISHES:	GAUGE:
		PC	13ga. .095



DON-JO MFG. INC.

DESIGNER	SIZE A	DATE: 5/4/04	PART NO. BTS-160	REV
APPROVED	SCALE	RELEASE DATE	WEIGHT	SHEET