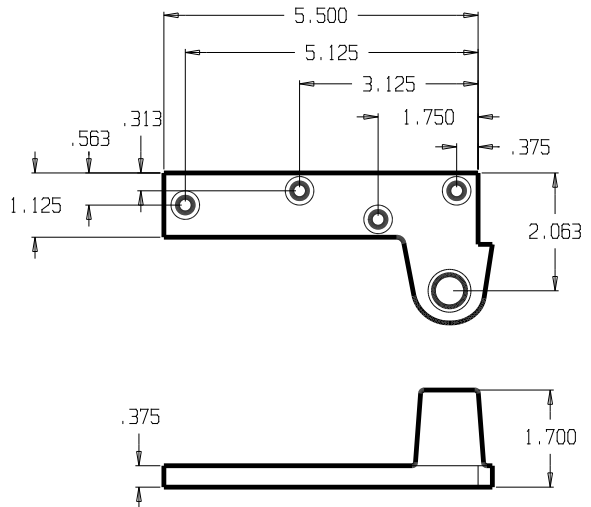
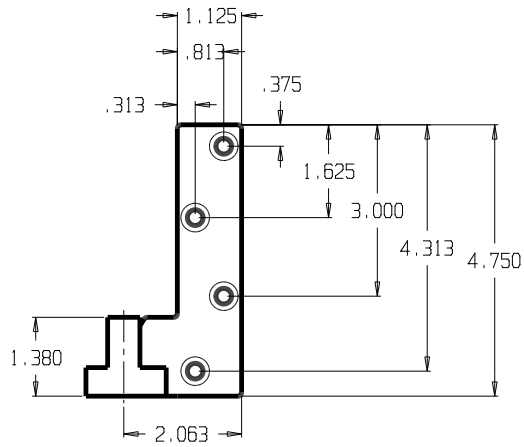


DWG NO.	SH	REV
---------	----	-----

REVISIONS			
ZONE	REV	FINISHES :	GALUGE :
		626	



<b>DON-JO MFG. INC.</b>				SIZE	DATE:	PART NO.	REV
DESIGNER	D.R.	A	8/4/15	BP-1-23-RHR			
SCALE		RELEASE DATE		WEIGHT		SHEET	