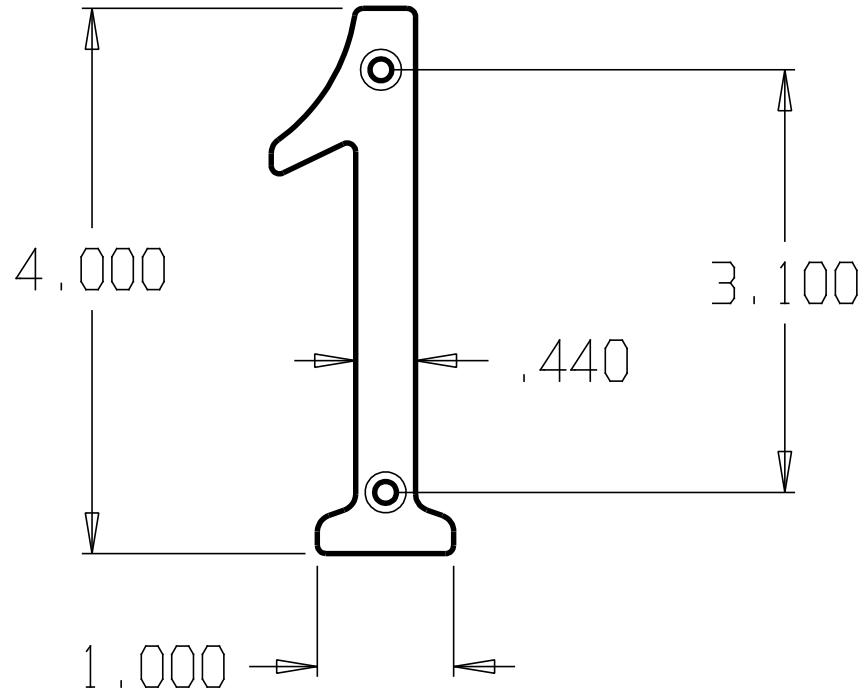


REVISIONS			
ZONE	REV	FINISHES:	GAUGE:
		605	3/16" THICK



DON-JO MFG. INC.

DESIGNER
APPROVED

SIZE: A
DATE: 5/4/04
SCALE

PART NO. BN4-1
RELEASE DATE
WEIGHT
SHEET