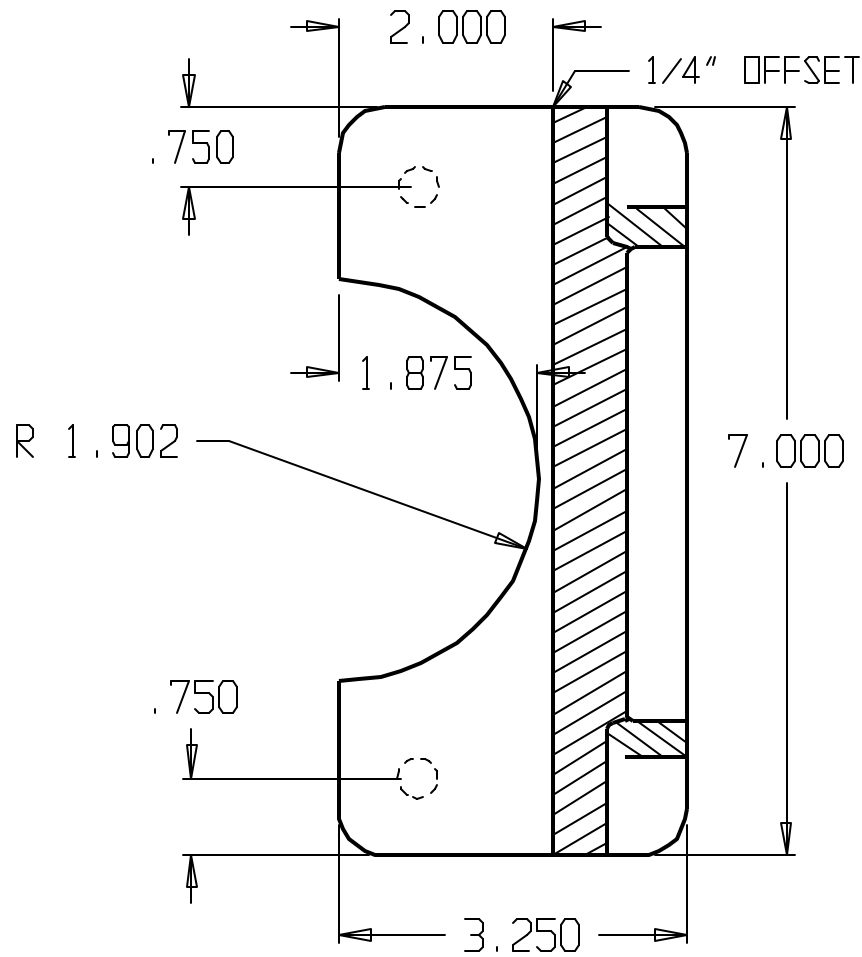


REVISIONS			
ZONE	REV	FINISHES:	GALUGE:
		BP, DU & SL	12ga. .104



DON-JO MFG. INC.

DESIGNER	SIZE A	DATE: 5/4/04	PART NO. BLP-207	REV
APPROVED	SCALE	RELEASE DATE	WEIGHT	SHEET