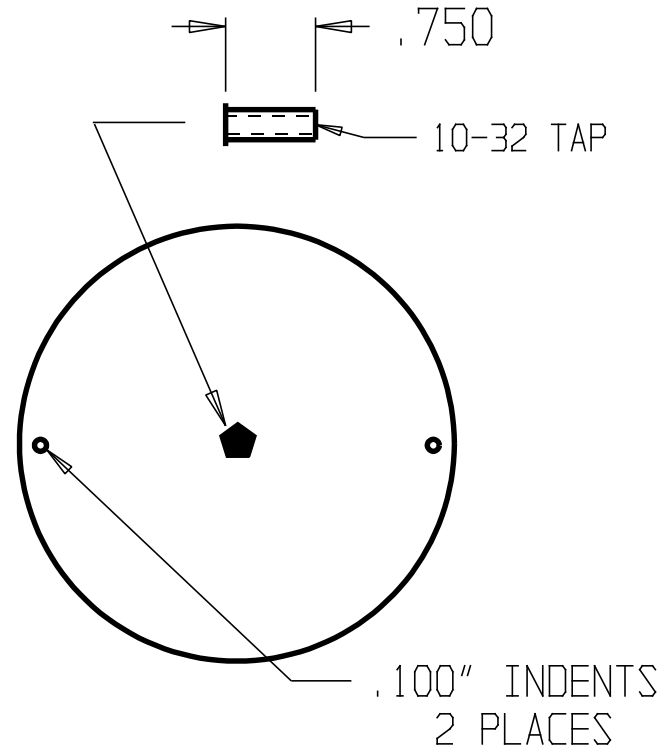
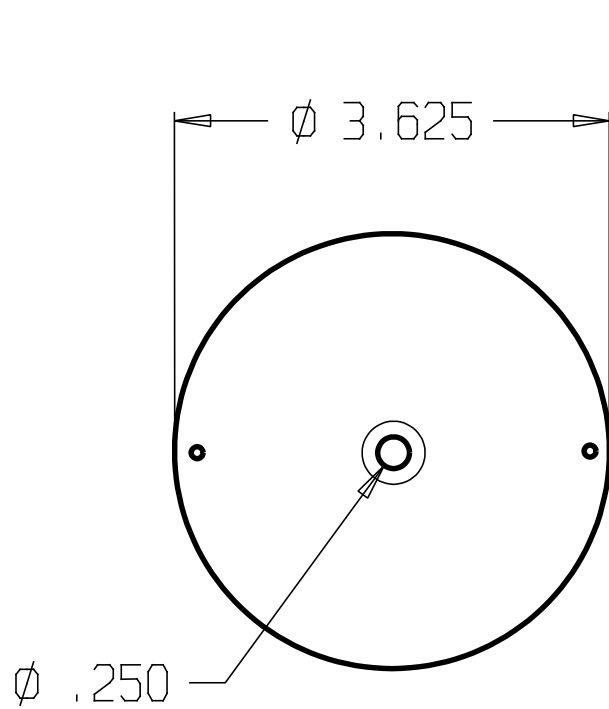


| REVISIONS | | |
|-----------|-----|-------------|
| ZONE | REV | FINISHES: |
| | | PB, PC & SL |
| | | GALIGE: |
| | | 16ga. .060 |



DON-JO MFG. INC.

DESIGNER

APPROVED

| | | | |
|-------|--------------|----------|-------|
| SIZE | DATE: | PART NO. | REV |
| A | 5/3/04 | BF-135 | |
| SCALE | RELEASE DATE | WEIGHT | SHEET |