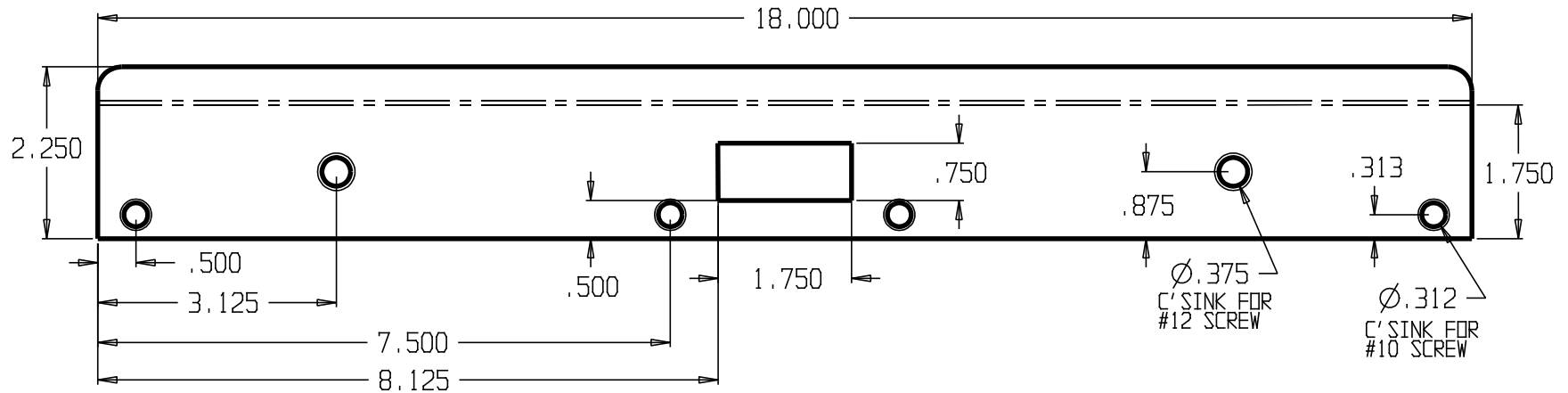


REVISIONS		
ZONE	REV	FINISHES:
		BP, SL & WHITE
		GAUGE:
		13ga. .095



DON-JO MFG. INC.

DESIGNER	SIZE	DATE:	PART NO.	REV
	A	5/3/04	AST-21341	
APPROVED	SCALE	RELEASE DATE	WEIGHT	SHEET