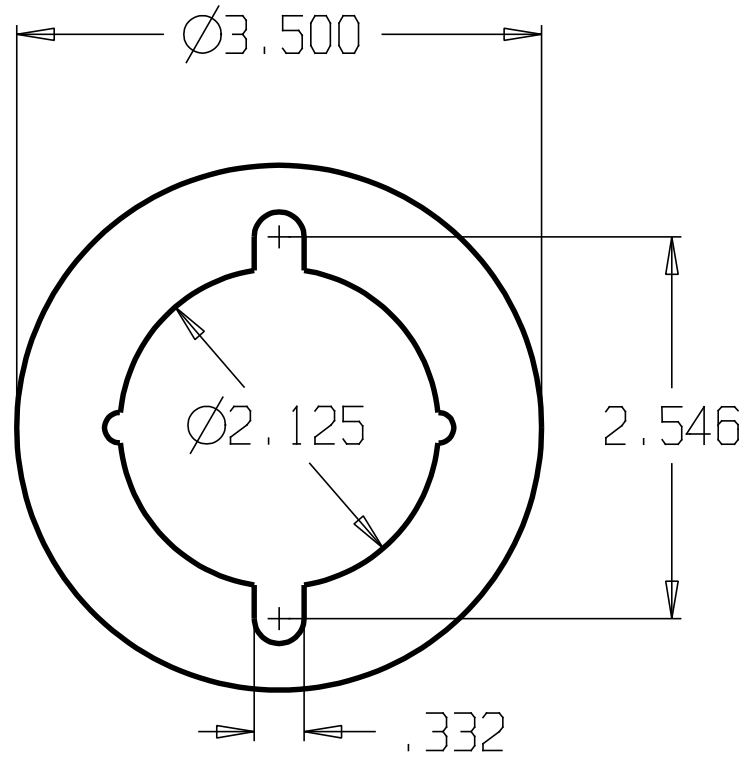


REVISIONS		
ZONE	REV	FINISHES:
		605, 613 & 630
		GALUGE:
		1/8" THICK



DON-JO MFG. INC.		SIZE	DATE:	PART NO.	REV
DESIGNER		A	5/3/04	AR-9K	
APPROVED		SCALE	RELEASE DATE	WEIGHT	SHEET