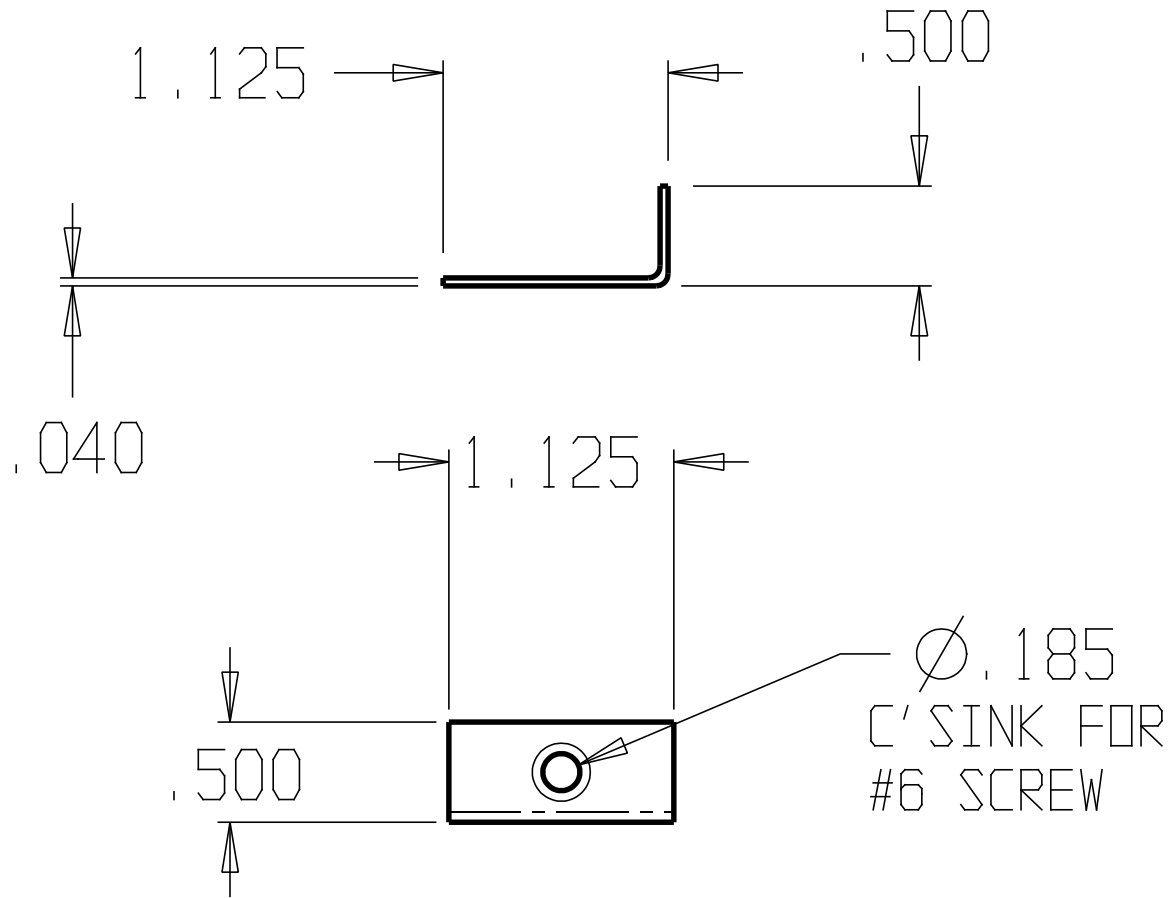


REVISIONS		
ZONE	REV	FINISHES:
		605, 606, 626
		GALUGE:
		18ga. .050



DON-JO MFG. INC.

DESIGNER
APPROVED

SIZE: A
DATE: 5/3/04
SCALE

PART NO.: AP-34
WEIGHT
SHEET

REV