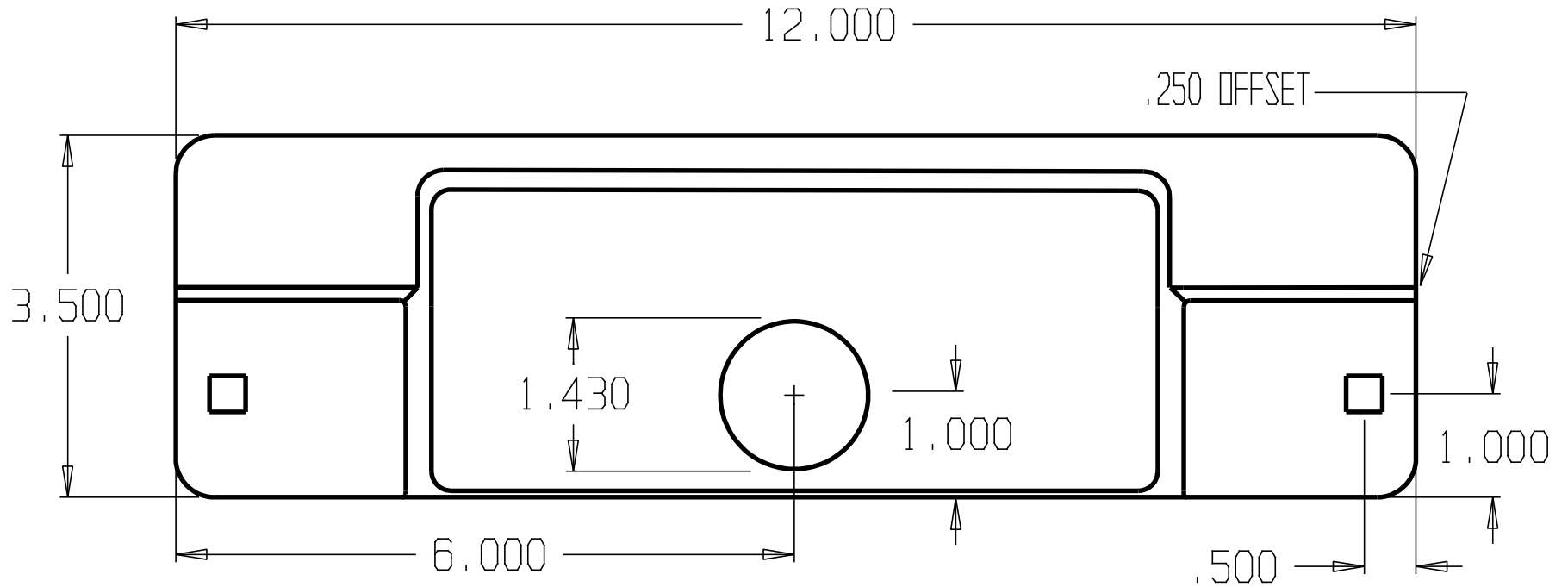


REVISIONS		
ZONE	REV	FINISHES:
		DU & SL
		GAUGE:
		13ga. .095



DON-JO MFG. INC.		SIZE	DATE:	PART NO.	REV
DESIGNER		A	5/3/04	AL-211	
APPROVED		SCALE	RELEASE DATE	WEIGHT	SHEET