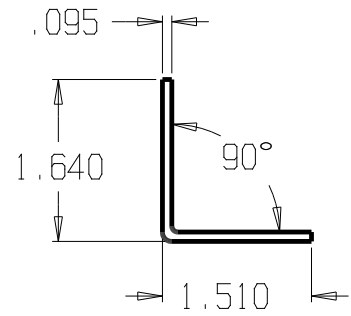
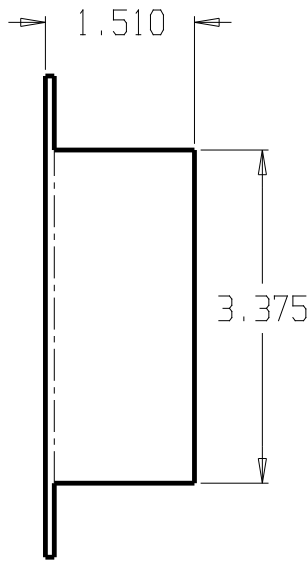
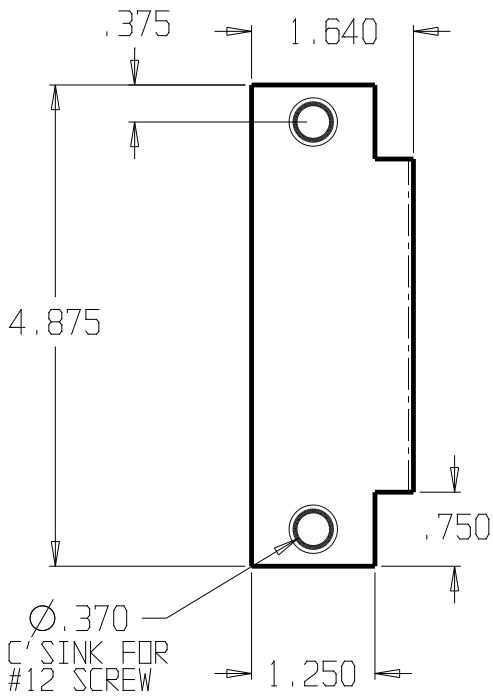


DWG NO.	SH	REV
---------	----	-----

REVISIONS		
ZONE	REV	FINISHES:
		DU & SL
		Gauge:
		13ga. .095



DON-JO MFG. INC.

DESIGNER	SIZE	DATE:	PART NO.	REV
	A	6/26/14	AF-260	
APPROVED	SCALE	RELEASE DATE	WEIGHT	SHEET