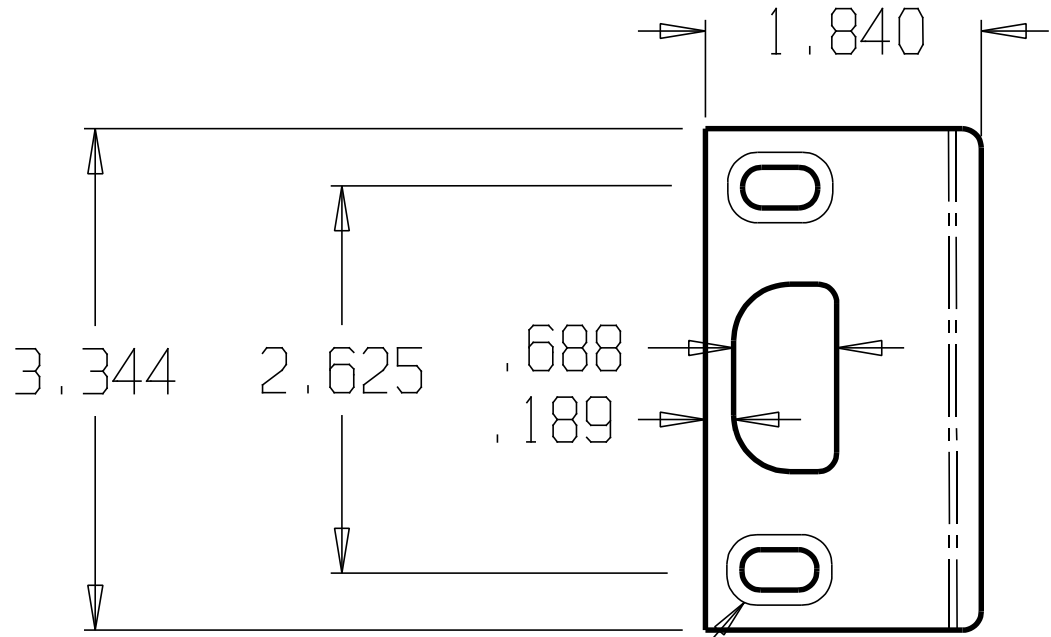


REVISIONS				
ZONE	REV	FINISHES:	DATE	APPROVED
		BP & SL		



C' SINK FOR  
#8 SCREW

DON-JO MFG. INC.				
DESIGNER	SIZE	DATE:	PART NO.	REV
	A	4/30/04	A-2-SS	
APPROVED	SCALE	RELEASE DATE	WEIGHT	SHEET