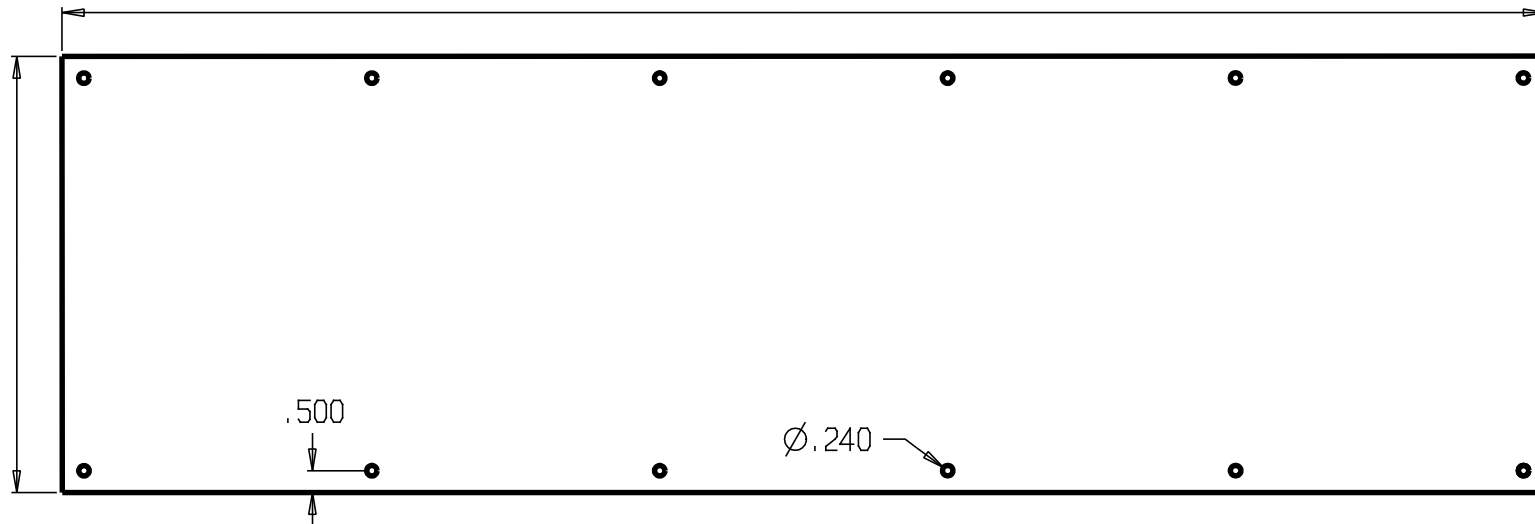


REVISIONS

ZONE	REV	FINISHES :	Gauge :	APPROVED
		605,606,609,612,613,619,626,628, 629,630,BT,DB,ENDURANCE,PLASTIC		



.125" PLASTIC / FILL IN DIMENSIONS

DON-JO MFG. INC.

DESIGNER	SIZE A	DATE: 2/10/04	PART NO. #92	REV
APPROVED	SCALE	RELEASE DATE	WEIGHT	SHEET