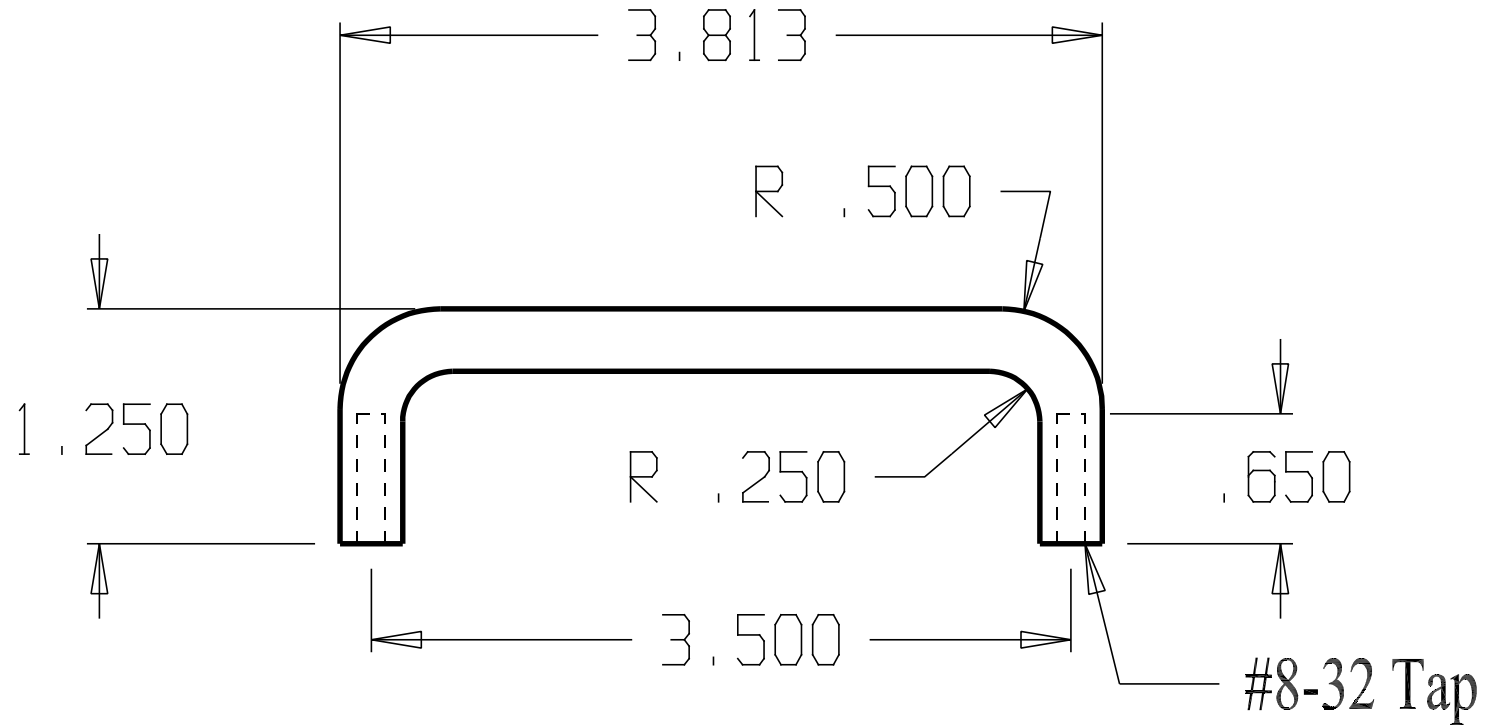


REVISIONS				
ZONE	REV	FINISHES:	DATE	APPROVED
		605, 625, 626		



DON-JO MFG. INC.		SIZE	DATE:	PART NO.	REV
DESIGNER		A	4/28/04	#64	
APPROVED		SCALE	RELEASE DATE	WEIGHT	SHEET