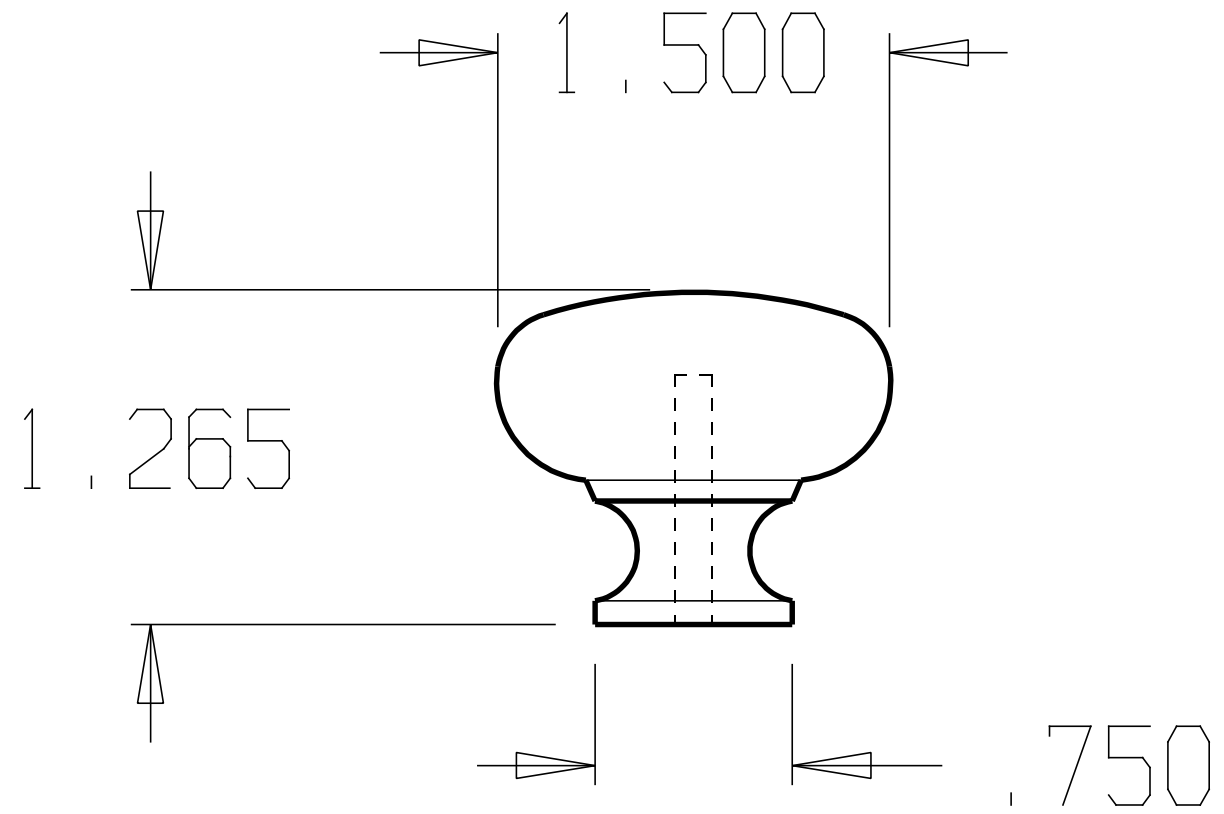


REVISIONS			
ZONE	REV	FINISHES:	DATE
		605, 613, 619, 620, 626	
		APPROVED	



DON-JO MFG. INC.

DESIGNER	SIZE	DATE:	PART NO.	REV
	A	4/28/04	#56	
APPROVED	SCALE	RELEASE DATE	WEIGHT	SHEET