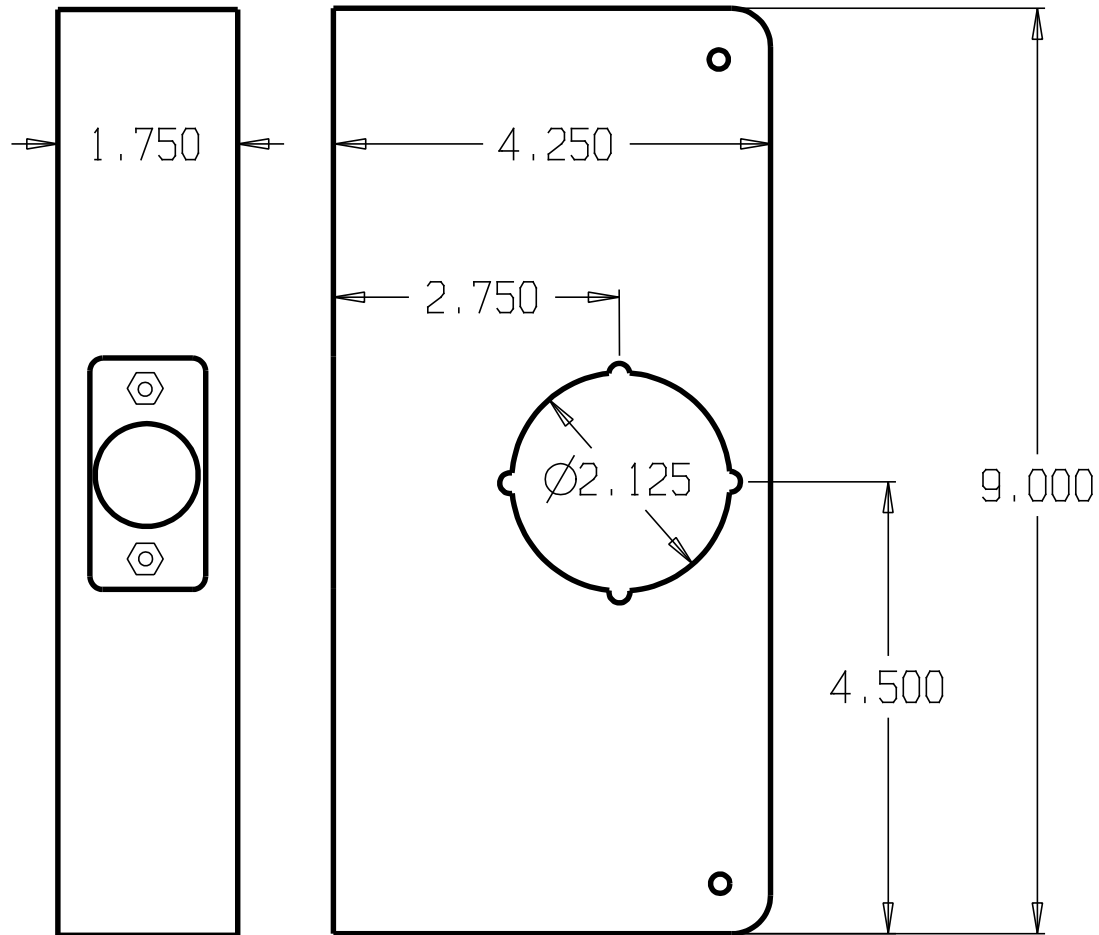


REVISIONS		
ZONE	REV	FINISHES:
		PB, AB, BZ, 10B & S
		GALUGE:
		22GA. .032



DON-JO MFG. INC.

DESIGNER  
APPROVED

SIZE A	DATE: 1/1/94	PART NO. 4-CW	REV
SCALE	RELEASE DATE	WEIGHT	SHEET