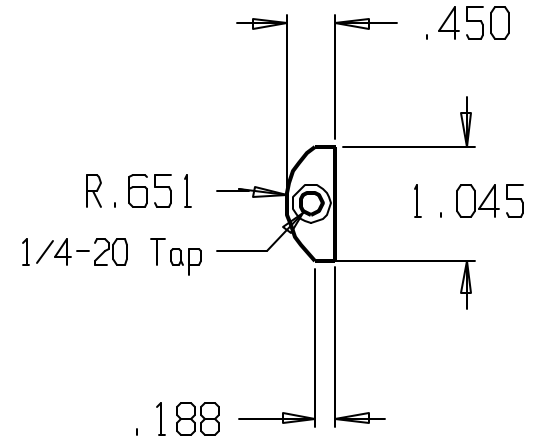
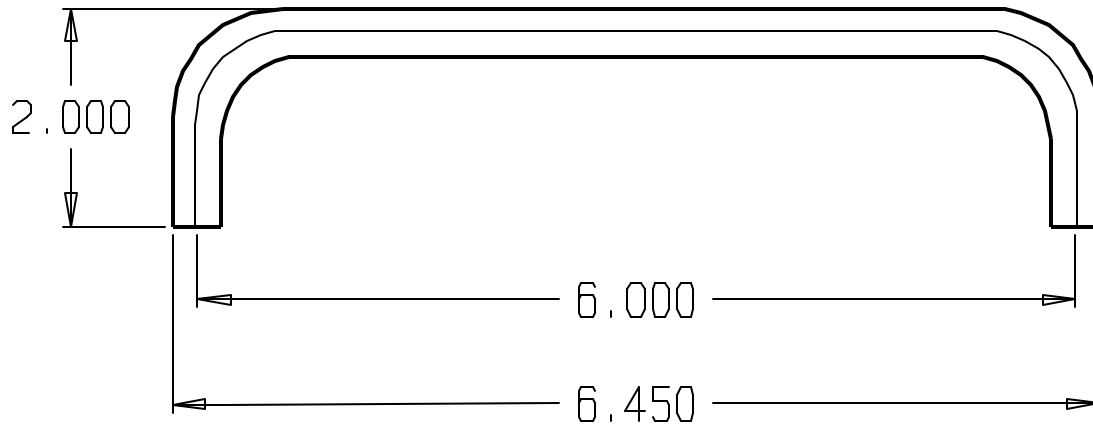


REVISIONS			
ZONE	REV	FINISHES :	DATE
		605, 613, 628, 630	
		APPROVED	



DON-JO MFG. INC.

DESIGNER	SIZE	DATE	PART NO.	REV
	A	4/27/04	#37	
APPROVED	SCALE	RELEASE DATE	WEIGHT	SHEET